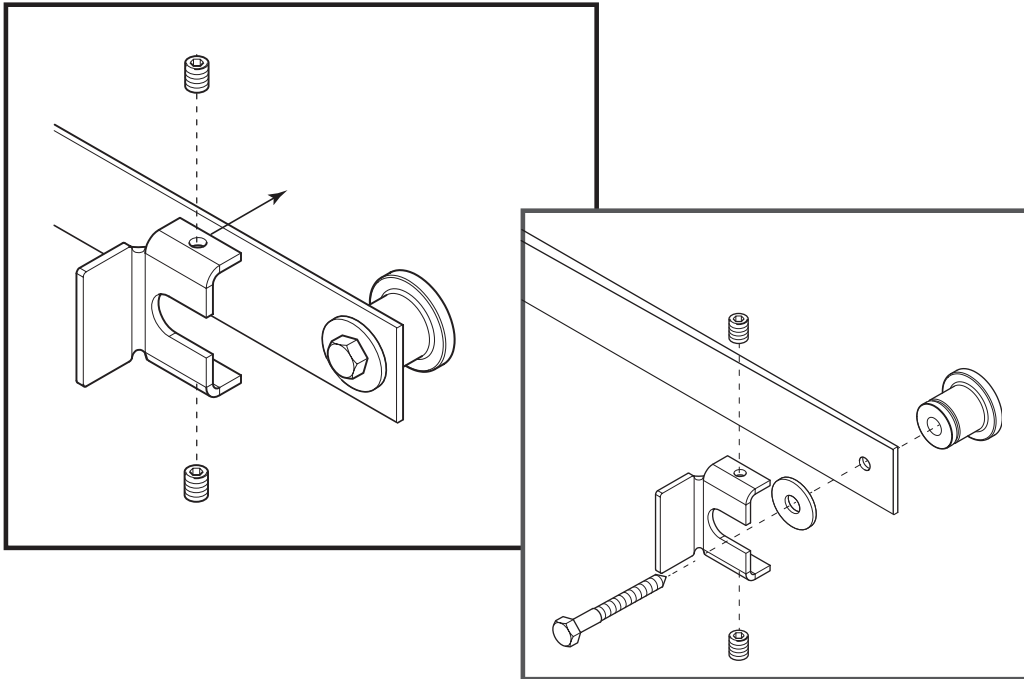




# ADJUSTABLE STOP



Adjustable stops can be placed anywhere on the track rather than being limited to being in line with a spacer. They can also be installed in line with a spacer assembly if desired.

To install, place the stop in the desired position, then secure by tightening the set screws on the top and bottom of the stop.