

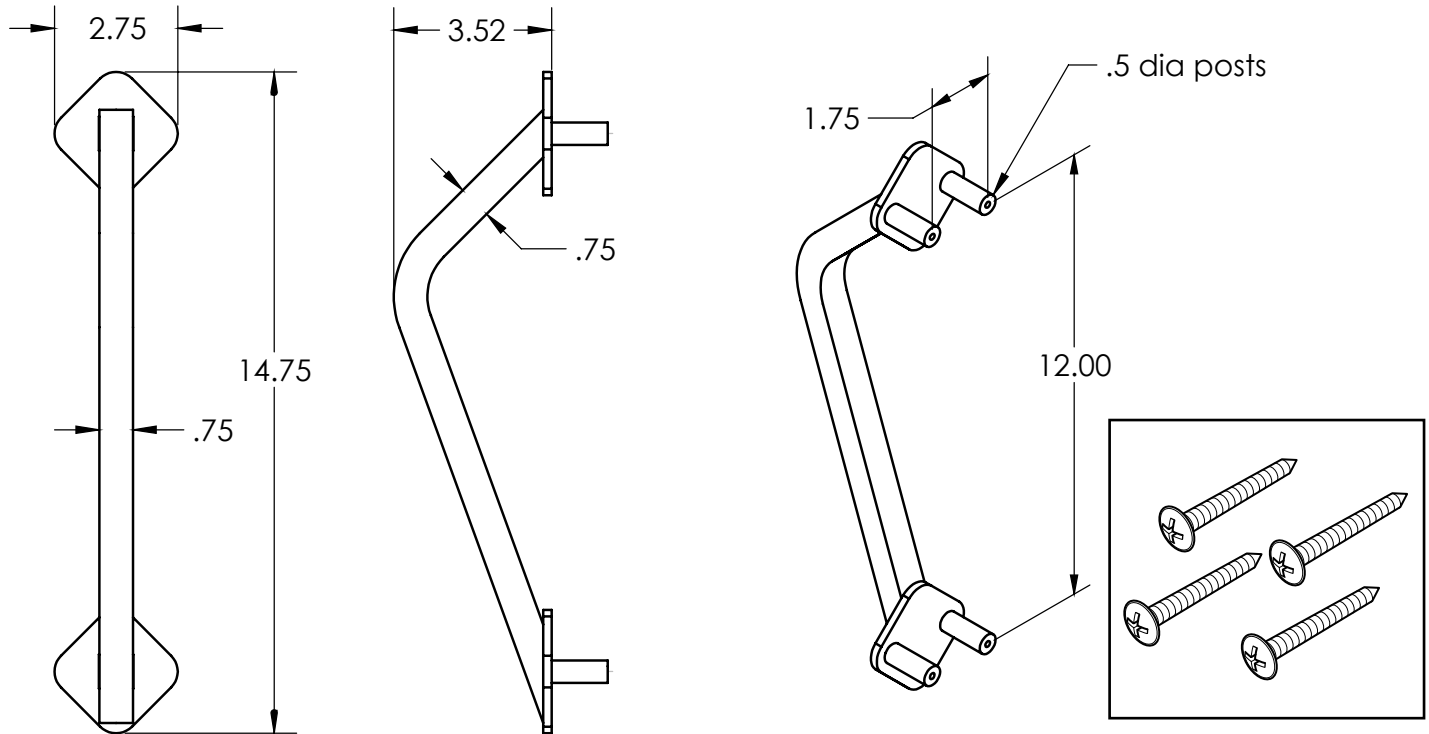


# JOSHUA TREE PULL

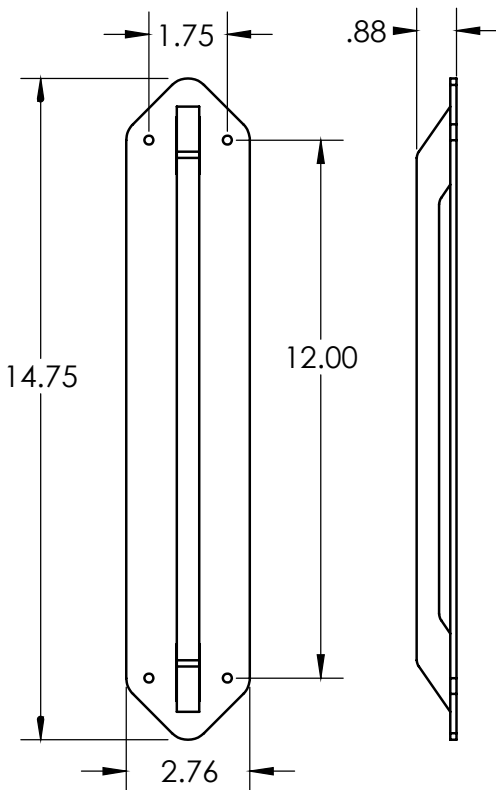


# JOSHUA TREE PULL Specifications

## Front Pull



## Rear Pull



The bottom of the pull should be 28 <sup>5</sup>/<sub>8</sub> from the bottom edge of the door. Avoid placing the door pull too close to the edge of the door. Placing the pull too close to the edge can damage both door and pull.

To install the Joshua Tree door pulls, use the REAR pull as a template to mark the holes for the pulls. Gently place the rear pull on the front of the door. The bottom of the pull should be 28 <sup>5</sup>/<sub>8</sub> from the bottom of the door and the pull should be approx. 1 <sup>1</sup>/<sub>8</sub> inches from the edge. Mark the holes with a pencil once you're certain of the placement. Drill a small pilot hole first, the use a 9/16 drill bit to drill the holes for the front pull posts. Put the front pull in place and fasten the rear pull from the back using the screws provided.

# WE LOVE WHAT YOU ARE DOING WITH THE PLACE

CONGRATULATIONS ON YOUR DECISION TO BRING HOME  
AN AMERICAN MADE PRODUCT OF THE HIGHEST QUALITY.  
WE HOPE YOUR JOSHUA TREE PULL BRINGS ART AND FUNCTION  
INTO YOUR LIFE.

DESIGNED AND CRAFTED  
ENTIRELY IN THE

# U.S.A.



DON'T BE A STRANGER. FOLLOW US  
ON SOCIAL MEDIA.



[support@rusticahardware.com](mailto:support@rusticahardware.com)