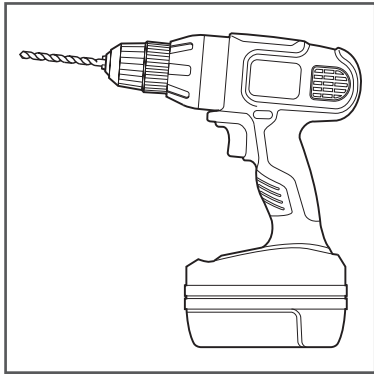


MOUNTAIN MODERN DOOR

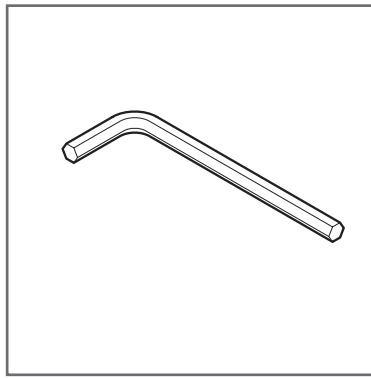
INSTALLATION INSTRUCTIONS



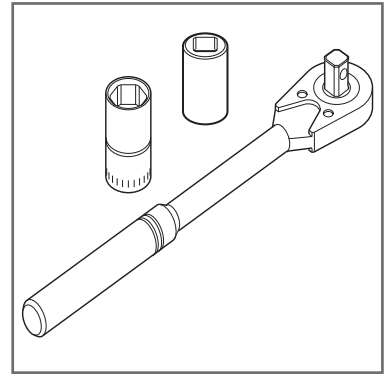
MOUNTAIN MODERN Recommended Tools



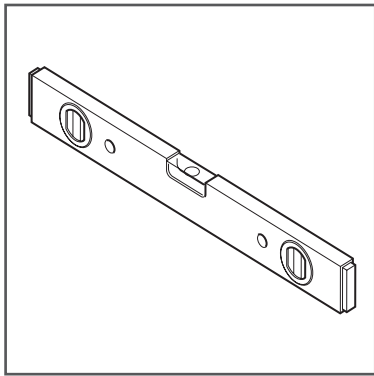
Drill with 1/8", 1/4" Drill Bits and Phillips Screw Bit



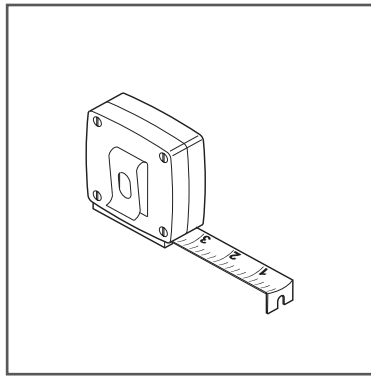
5.5mm or 7/32" Allen Wrench



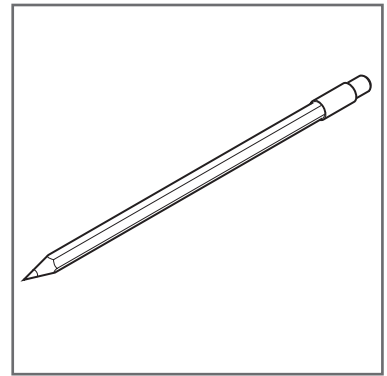
Socket Wrench with 7/16 and 9/16" Socket



Level

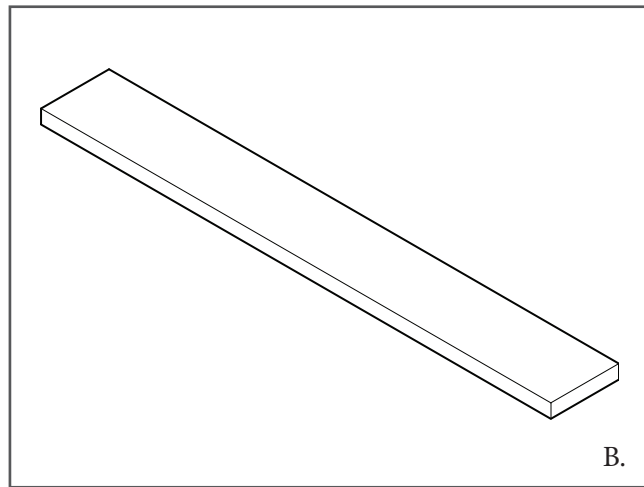
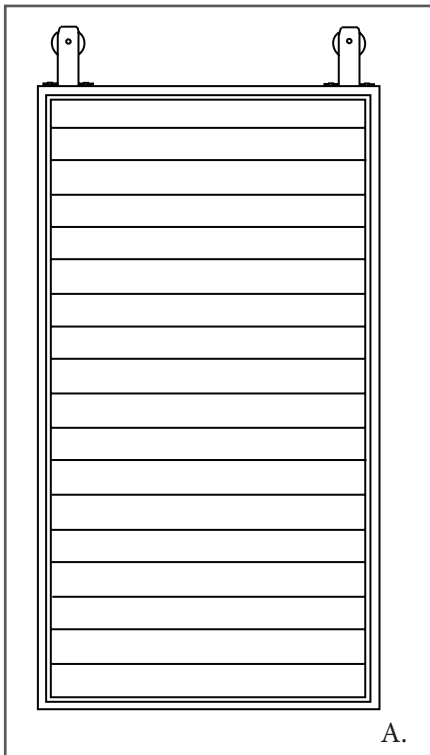


Tape Measure

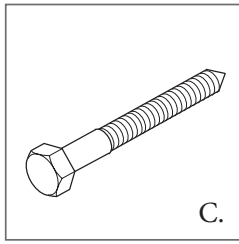


Pencil

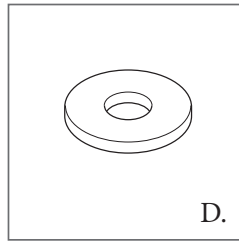
MOUNTAIN MODERN Parts



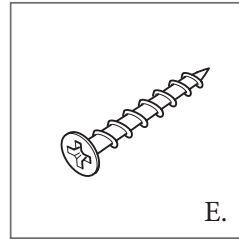
MOUNTAIN MODERN Parts



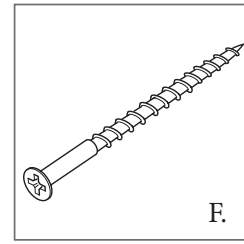
C.



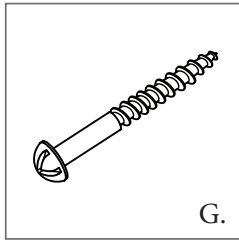
D.



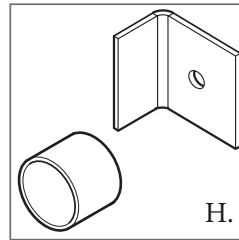
E.



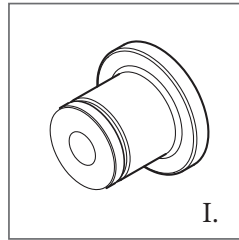
F.



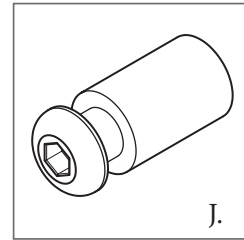
G.



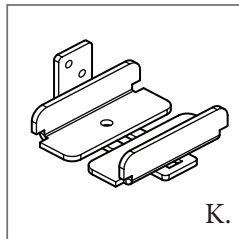
H.



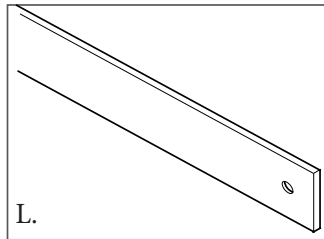
I.



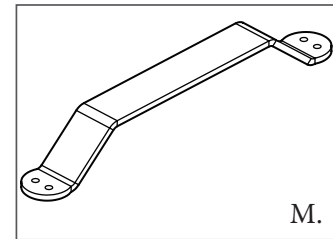
J.



K.



L.



M.

PARTS

- A. Door Assembly
- B. Header (Optional)
- C. Lag Screw
- D. 1" Washer
- E. #6x1-1/4" Flat Head Wood Screw
- F. #8x3/4" Flat Head Wood Screw
- G. #8x3/4" Round Head Wood Screw
- H. Hard Stop & Rubber Bumper
- I. Spacer
- J. Anti-Jump Block and Socket Screw
- K. Adjustable Wall-Mount Door Guide
- L. Track
- M. Door Pull

**USE TEAMWORK - WE RECOMMEND
TWO PEOPLE FOR THIS BUILD.**

MOUNTAIN MODERN Installation Instructions

FIRST THINGS FIRST

Check to see if the sill or floor below the track area is level. If the sill or floor rises more than 1/2" the panel or door may rub or not slide open completely. If the sill or floor is not level, measure from the highest point of the sill or floor surface to the recommended track placement and adjust track placement accordingly.

Ensure the track will be installed onto wall studs. If wall studs are not lining up with the installation a header will be required to provide the necessary strength and stability for the track and door.

TRACK INSTALLATION WITHOUT HEADER

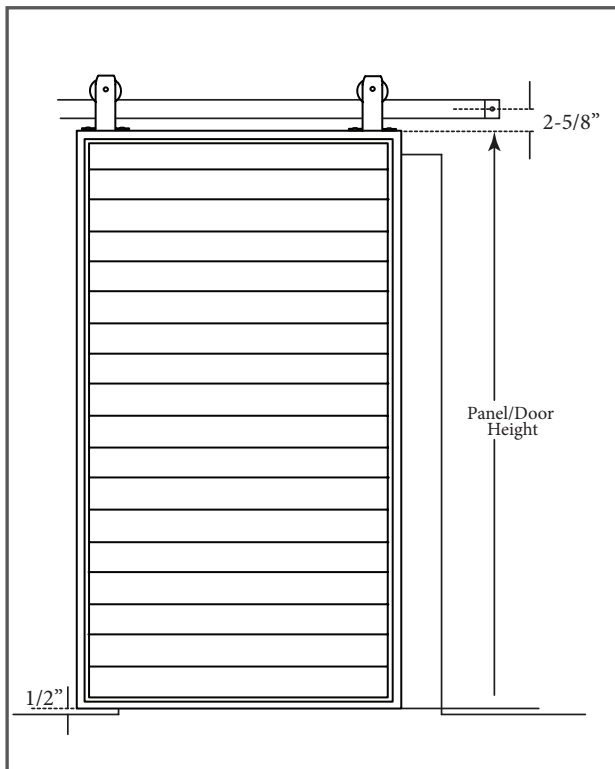


Figure 1

1. To determine where the track should be installed, first measure the height of the door, then add 3-1/8" door height. 1/2" will be for the clearance between the bottom edge of the door and the floor. 2-5/8" will be from the top edge of the door to the center of the track. (Figure 1).

2. Using a level and a pencil, make a line above the doorway the same length as the track.

3. Hold the track up to where the pencil line is visible through the holes in the track (Figure 2).

SUGGESTION:
Use pieces of double stick tape on the back of the track to help hold the track in place while completing steps 2 and 3.

4. Mark an intersecting line in the center of each track hole (Figure 2).

5. Take the track down, remove double stick tape (if used) and set the track aside.

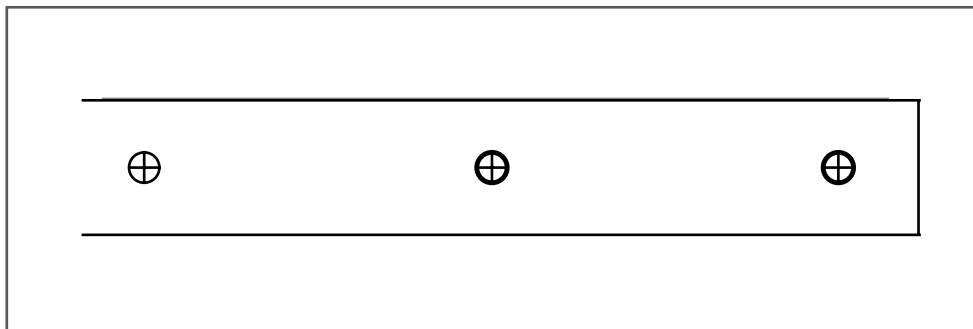


Figure 2

MOUNTAIN MODERN Installation Instructions

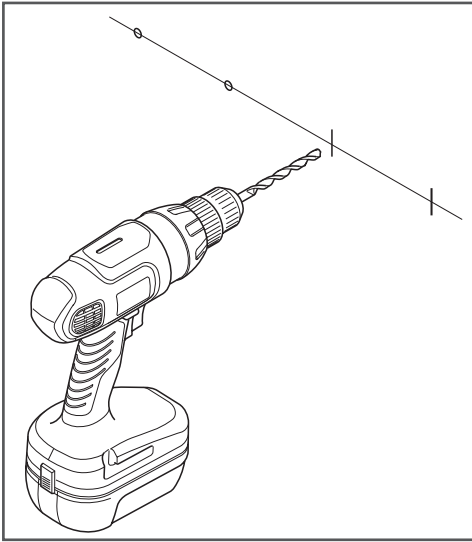


Figure 3

6. Drill out the marked holes using a drill with a 1/4" drill bit (Figure 3).

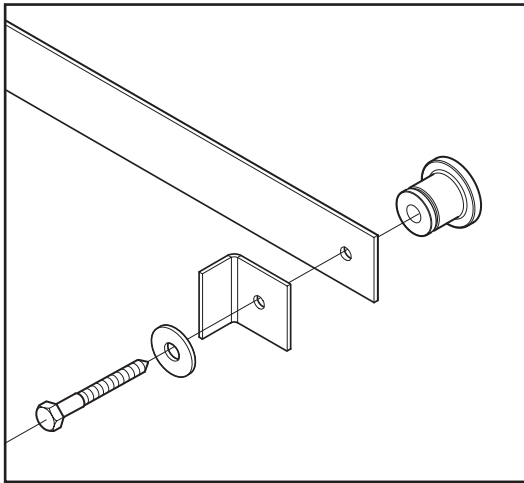


Figure 4

7. Attach one end of the track to the wall with one hard stop, one lag screw, and one washer (provided) using a socket wrench with 9/16" socket (Figure 4). Do not tighten.

8. Repeat step 7 for the other end of the track.

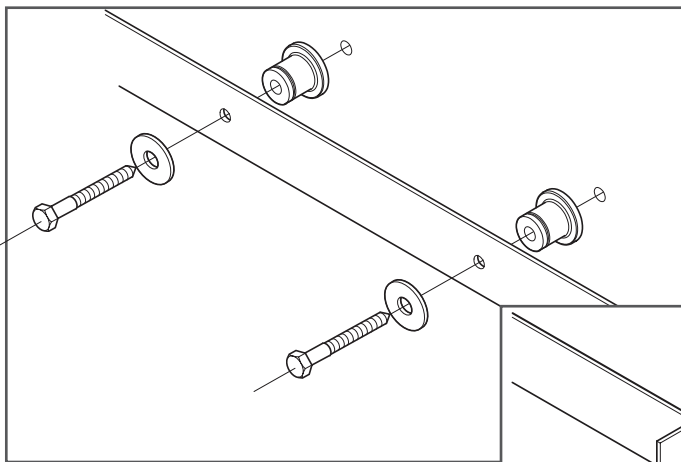


Figure 5

9. Install remaining spacers with lag screws and washers (provided) using a 9/16" socket wrench (Figure 5). Tighten all lag screws.

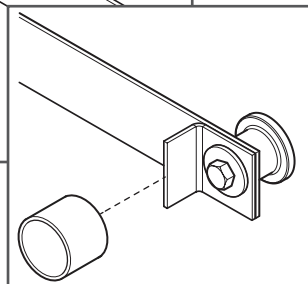


Figure 5A

10. Stretch rubber bumper (provided) over hard stop. Repeat for the hard stop on the other end of the track (Figure 5A).

TRACK INSTALLATION WITH HEADER

FIRST THINGS FIRST

Check to see if the sill or floor below the track area is level. If the sill or floor rises more than 1/2" the panel or door may rub or not slide open completely. If the sill or floor is not level, measure from the highest point of the sill or floor surface to the recommended track placement and adjust track placement accordingly.

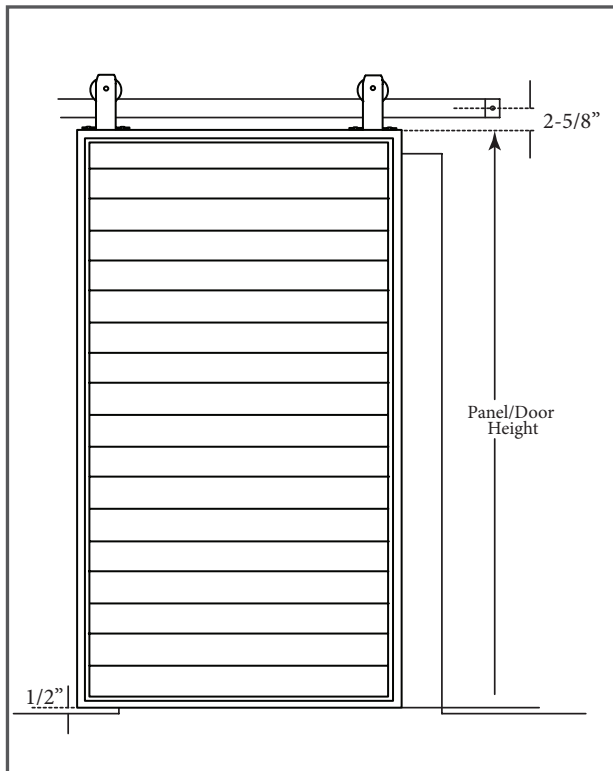


Figure 1

TRACK PLACEMENT

1. To determine where the track should be installed, first measure the height of the door, then add 3-1/8" to the door height. 1/2" will be for the clearance between the bottom edge of the door and the floor. 2-5/8" will be from the top edge of the door to the center of the track. (Figure 1).

2. Using a level and a pencil, make a line above the doorway the same length as the track.

HEADER INSTALLATION

NOTE:
The header should be 6" tall and 4" longer than the track.

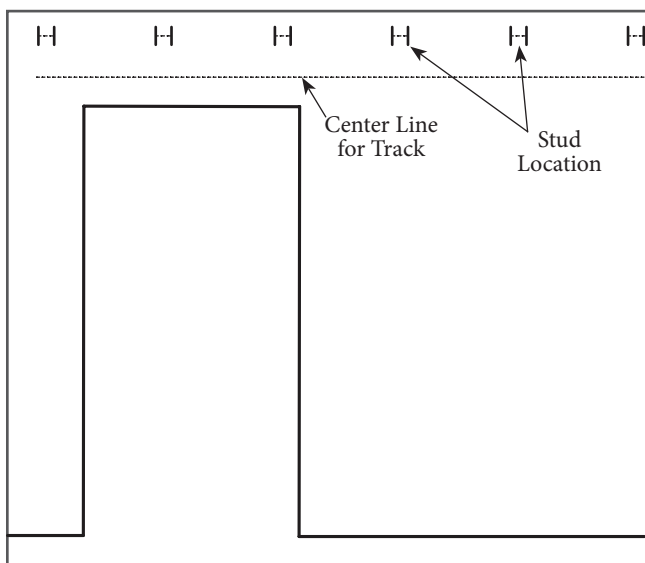


Figure 2

3. Using a stud finder, locate the studs along the area the header will be installed. Mark stud locations with a pencil (Figure 2).

MOUNTAIN MODERN Installation Instructions

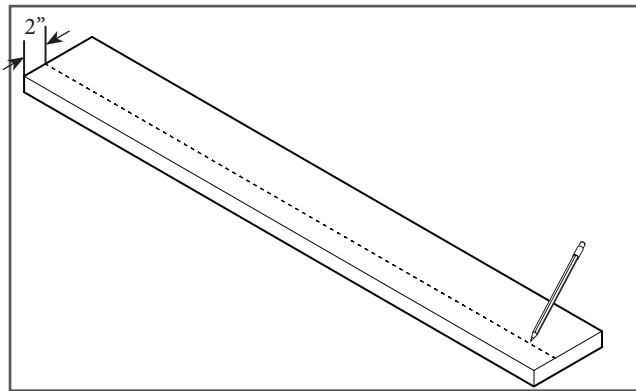


Figure 3

4. Lay the header on a flat clean surface. Using a measuring tape, measure 2" from the bottom of the header. Draw a line the length of the header with a pencil (Figure 3).

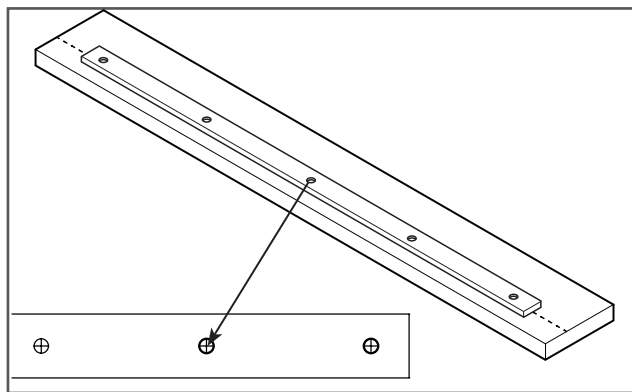


Figure 4

5. Lay the track on top of the header, centering it with the line drawn on the header. Ensure the track is 2" from either end of the header. Using a pencil, mark the hole positions in the track onto the header (Figure 4). Set the track aside.

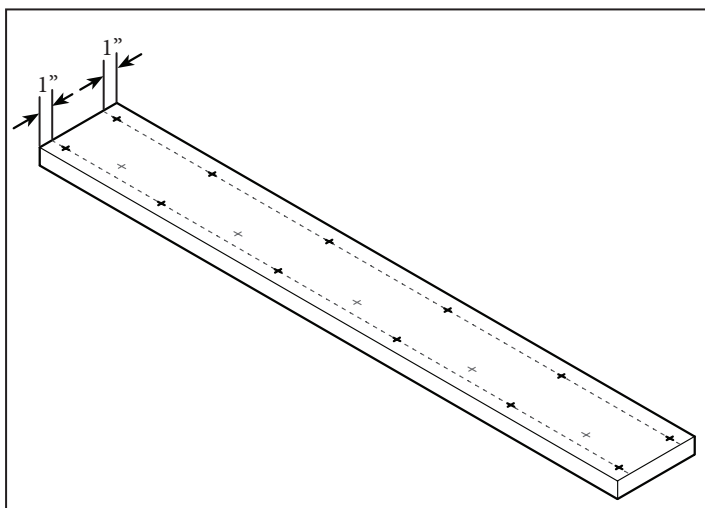


Figure 5

6. Mark the center of the studs onto the header. Mark 1" from the top edge and 1" above the bottom edge (Figure 5).

MOUNTAIN MODERN Installation Instructions

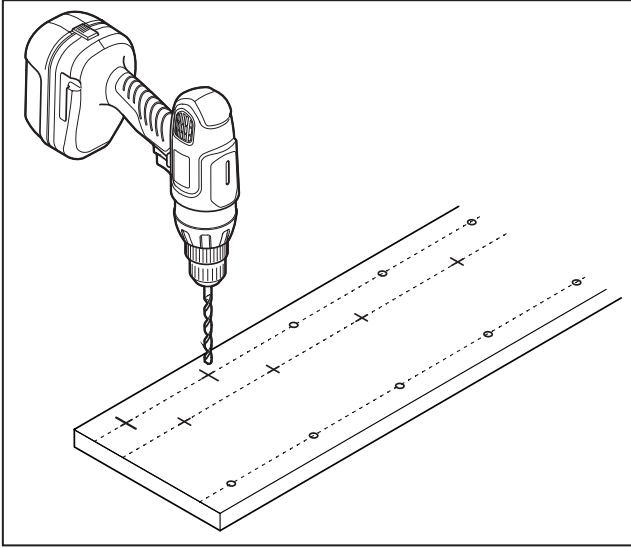


Figure 6

7. Drill pilot holes for the stud installation in the header with an 1/8" drill bit (Figure 6).

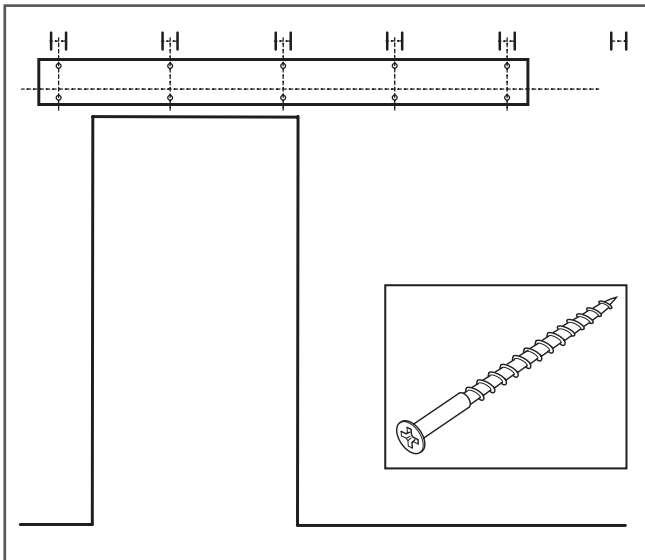


Figure 7

8. Align the line on the wall with the line made on the header in step 4. Ensure pilot holes align with wall studs (Figure 7).

9. Install header using 3" wood screws (F) (Figure 7).

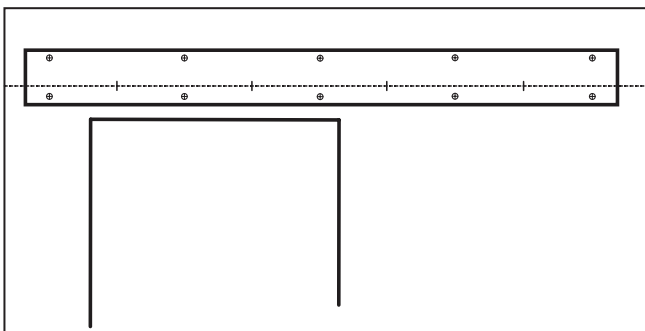


Figure 8

10. Header installation is complete (Figure 8). Proceed with track installation on pages 4 and 5.

PULL INSTALLATION

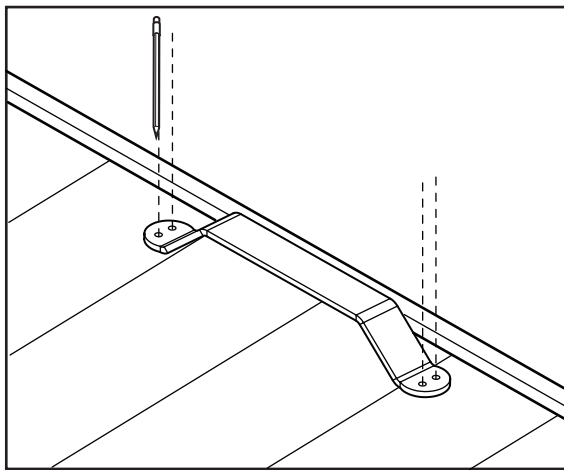
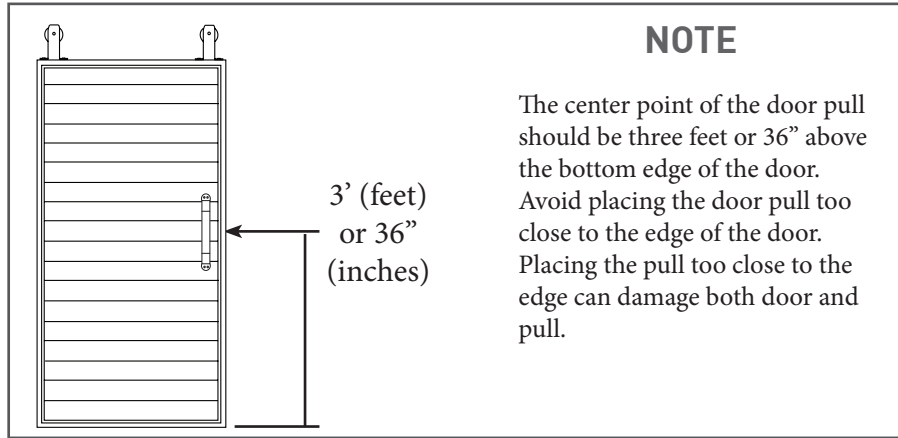


Figure 1

1. Lay the door (A.) facing up on a clean, stable surface.

2. Measure 3' (feet) or 36" (inches) from the bottom of the door to where the center of the pull will be (see NOTE above). Using a pencil, lightly draw a vertical line on the wood.

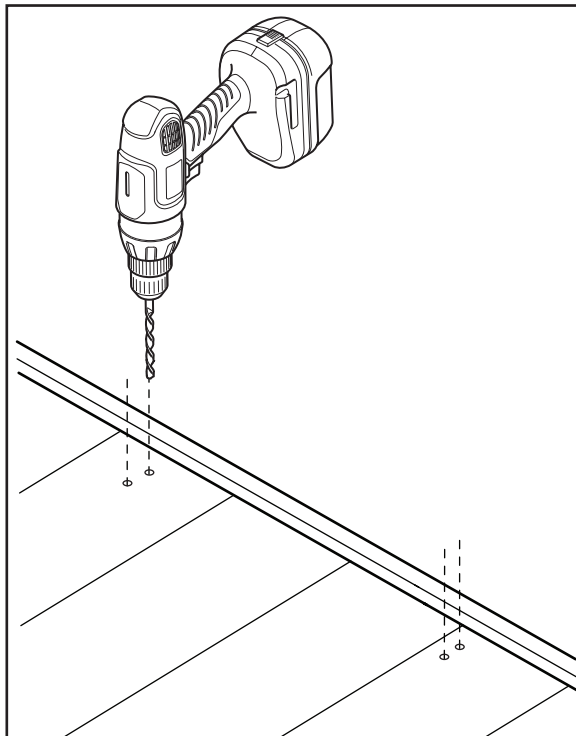


Figure 2

3. Lay the Door Pull (M.) on the surface of the wood, centering the pull on the pencil line. Using a pencil, mark the placement of the pull's screw holes on the door. Set the pull aside (Figure 1).

4. Using a drill with an 1/8" bit, drill each mark, being careful to not drill through the door (Figure 2).

5. Using a drill with a phillips bit, attach the door pull using #8x3/4" round head wood screws (G.).

DOOR INSTALLATION

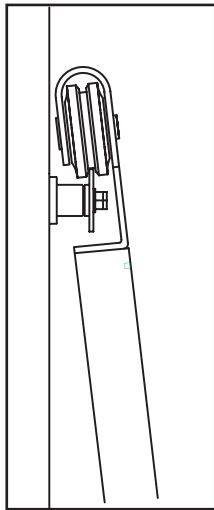


Figure 1

1. Hang the door on the track (Figure 1).

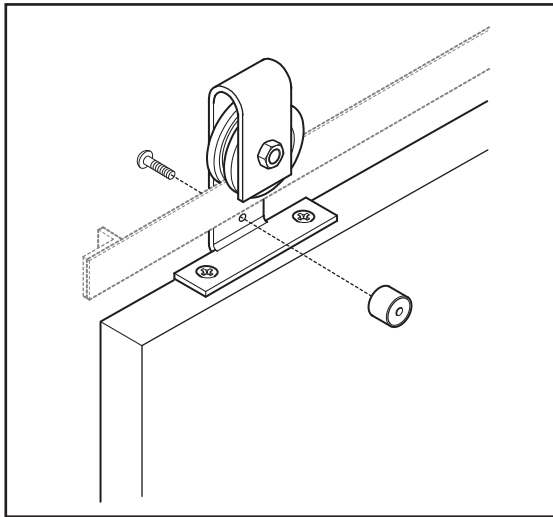


Figure 3

ANTI-JUMP BLOCK INSTALLATION

2. Install the anti-jump block (J.) on the back of the hanger using the provided socket screw (Figure 3).
3. Repeat for the opposite end of the door.

DOOR GUIDE INSTALLATION

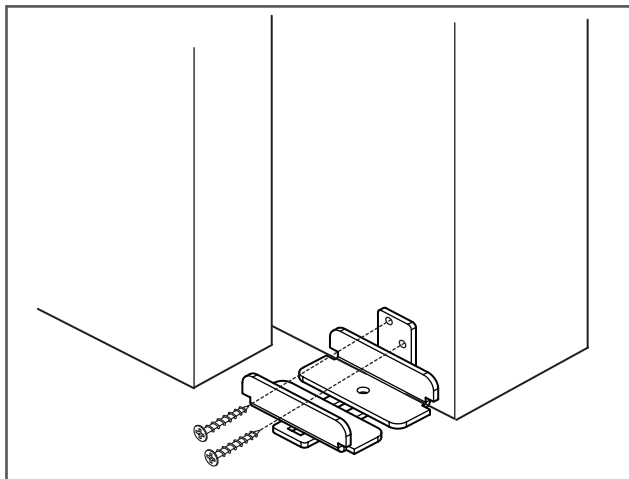


Figure 4

4. Slide the door to the open position (Figure 4).
5. Align the door guide (K.) slightly below the door's bottom edge ensuring the door can slide through the guide without scraping.

NOTE:

If the door does not slide freely through the guide, adjust the width of the guide by loosening the screw on the outside bracket. Slide the bracket to the appropriate position, then tighten the screw on the outside bracket.

SUGGESTION:

Use double stick tape on the back of the Door Guide to hold the guide in place.

6. Install the Door Guide with two #6x1-1/4" Flat Head Wood Screw (E.) using a drill with a phillips bit.

WE LOVE WHAT YOU ARE DOING WITH THE PLACE

CONGRATULATIONS ON YOUR DECISION TO BRING HOME
AN AMERICAN MADE PRODUCT OF THE HIGHEST QUALITY.
WE HOPE YOUR MOUNTAIN MODERN DOOR BRINGS ART AND FUNC-
TION INTO YOUR LIFE.

DESIGNED AND CRAFTED
ENTIRELY IN THE

U.S.A.



DON'T BE A STRANGER. FOLLOW US
ON SOCIAL MEDIA.



support@rusticahardware.com