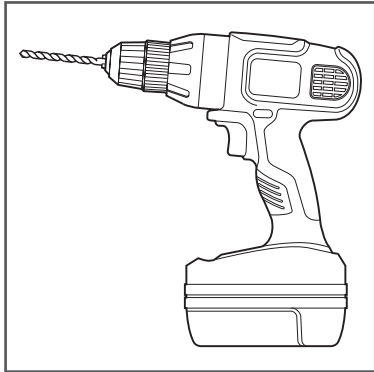


HEAVY SPACER

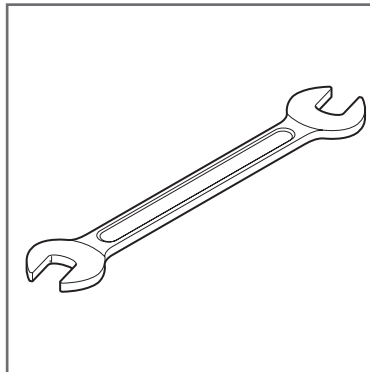
INSTALLATION INSTRUCTIONS



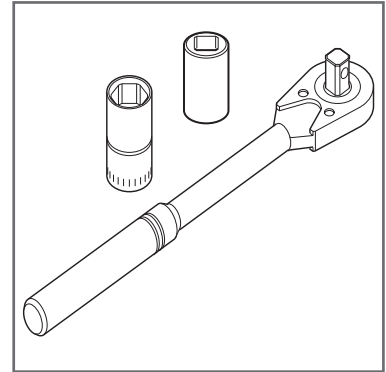
HEAVY SPACER Recommended Tools



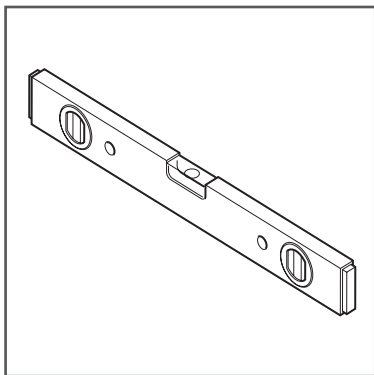
Drill with 1/8" and 1/4"
Drill Bit and Phillips
Screw Bit



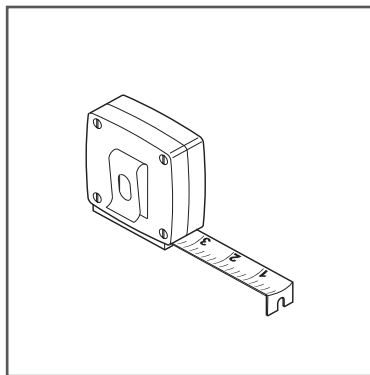
7/16" Combination
Wrench



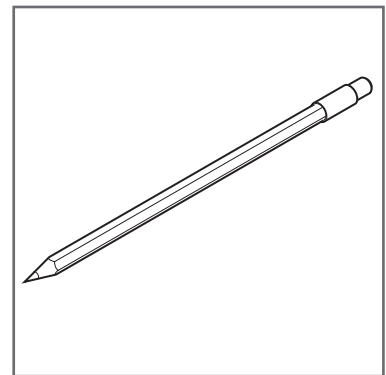
Socket Wrench with
7/16 and 9/16" Socket



Level



Tape Measure

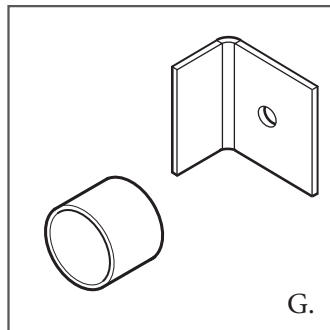
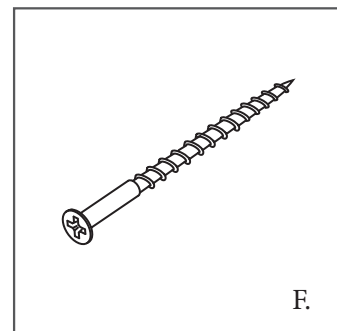
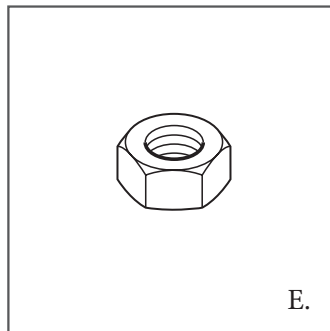
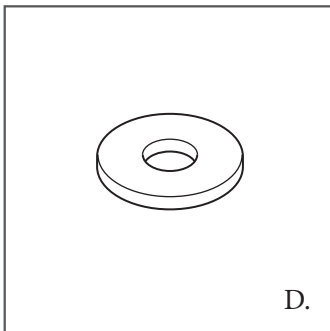
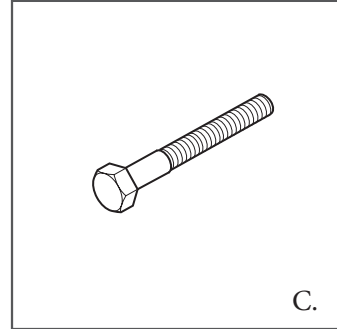
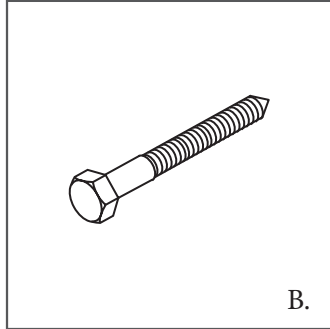
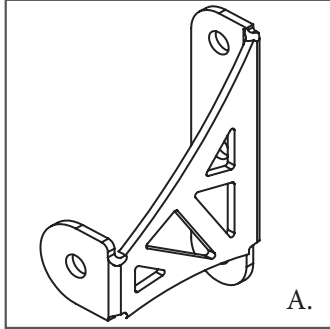


Pencil

**USE TEAMWORK - WE RECOMMEND
TWO PEOPLE FOR THIS BUILD.**

HEAVY SPACER Parts

NOTE:
THE FOLLOWING INSTRUCTIONS ARE FOR HEAVY SPACER SYSTEMS ONLY. DO NOT ATTEMPT TO USE ON TUBE, BOX, BYPASS, J TRACKS, OR CEILING MOUNT TRACK SYSTEMS. HEAVY DUTY SPACERS MUST BE INSTALLED USING A HEADER.



PARTS

- A. Heavy Duty Spacer
- B. Lag Screw
- C. 3/8" Hex Bolt
- D. Washer
- E. Nut
- F. 3" Wood Screw
- G. Hard Stop & Rubber Bumper

FIRST THINGS FIRST

Check to see if the floor below the track area is level. If the floor rises more than 1/2" the door may rub or not slide open completely. If the floor is not level, measure from the highest point of the floor surface to the recommended track placement and adjust track placement accordingly.

It will be necessary to install a header for the track when wall studs are not lining up with the track and door installation. Headers provide the necessary strength and stability for the track and door.

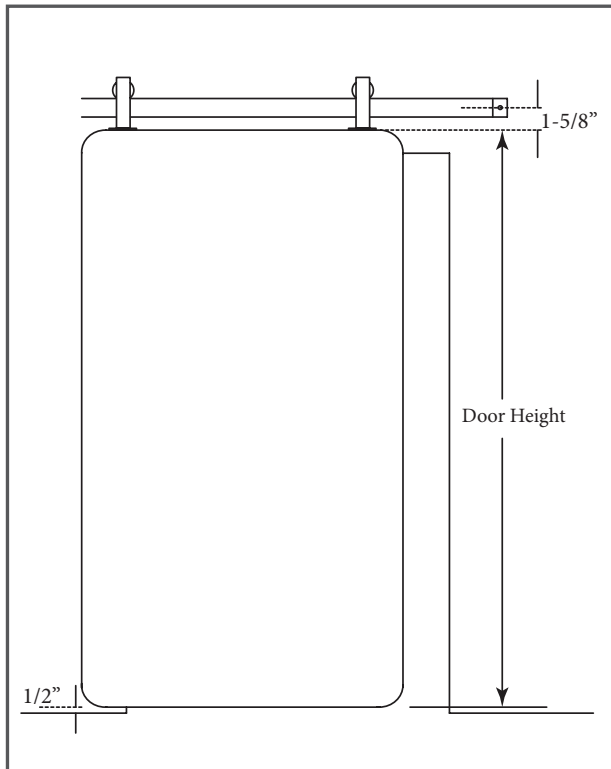


Figure 1

TRACK & DOOR INSTALLATION PREP

1. To determine where the track should be installed, first measure the height of the door, then add 2-1/8" to the door length. 1/2" will be for the clearance between the bottom edge of the door and the floor. 1-5/8" will be from the top edge of the door to the center of the track. (Figure 1).

2. Using a level and a pencil, make a line above the doorway the same length as the track.

HEADER INSTALLATION

NOTE:
The header should be 6" tall and 4" longer than the track.

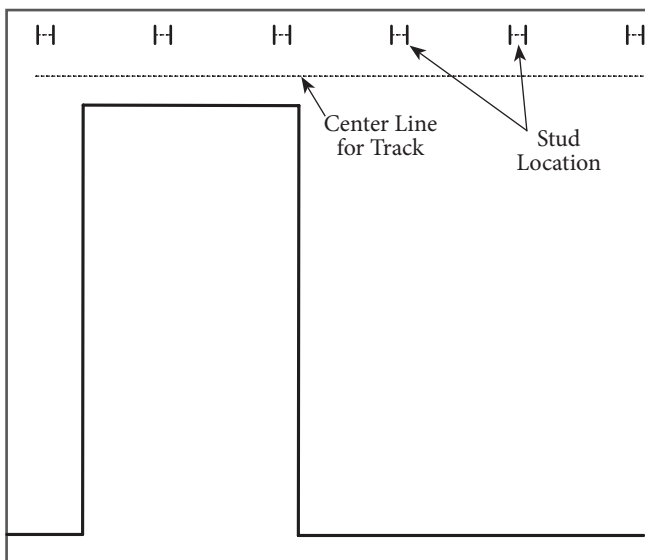


Figure 2

3. Using a stud finder, locate the studs along the area the header will be installed. Mark stud locations with a pencil (Figure 2).

HEAVY SPACER Installation Instructions

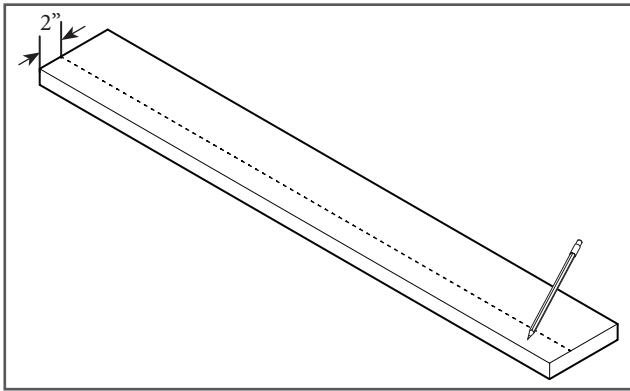


Figure 3

4. Lay the header on a flat clean surface. Using a measuring tape, measure 2" from the bottom of the header. Draw a line the length of the header with a pencil (Figure 3).

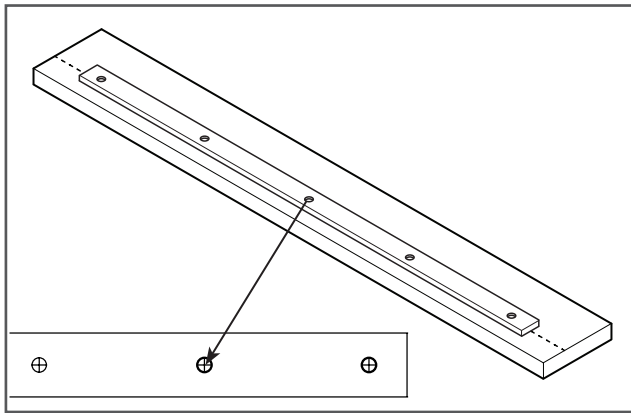


Figure 4

5. Lay the track on top of the header, centering it with the line drawn on the header. Ensure the track is 2" from either end of the header. Using a pencil, mark the hole positions in the track onto the header (Figure 4). Set the track aside.

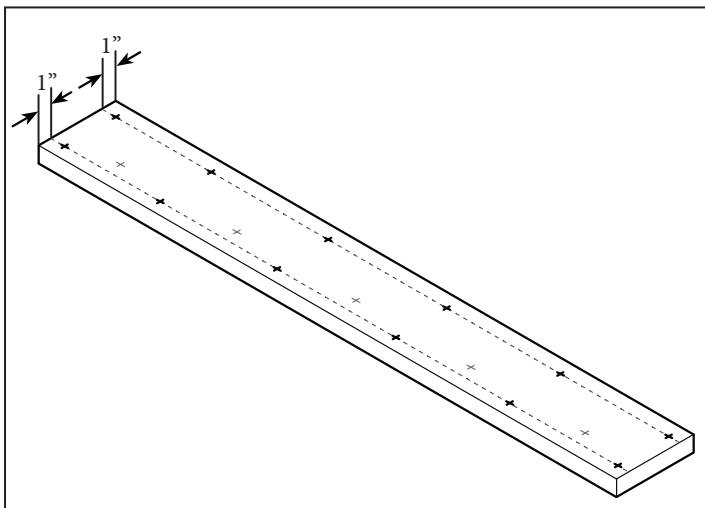


Figure 5

6. Mark the center of the stud onto the header. Mark 1" from the top edge and 1" above the bottom edge (Figure 5).

HEAVY SPACER Installation Instructions

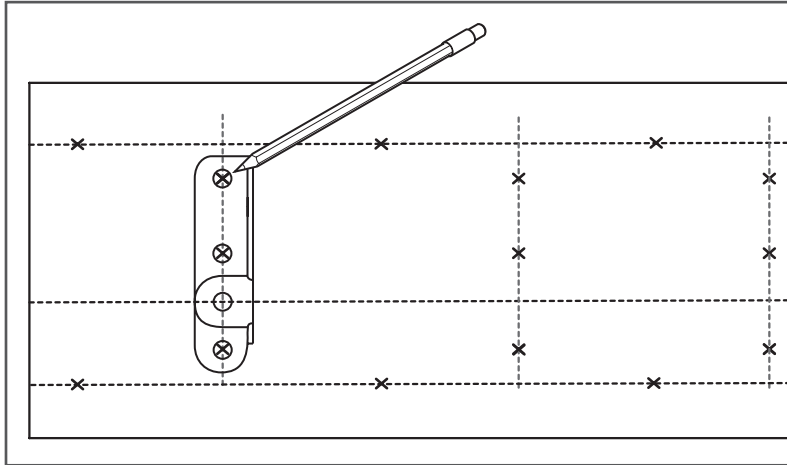


Figure 6

6. Place the heavy spacer (A.) so the tongue of the spacer is centered on the vertical pencil line for the track. Mark the center of each of the three holes in the spacer back. Repeat for remaining spacers (Figure 6).

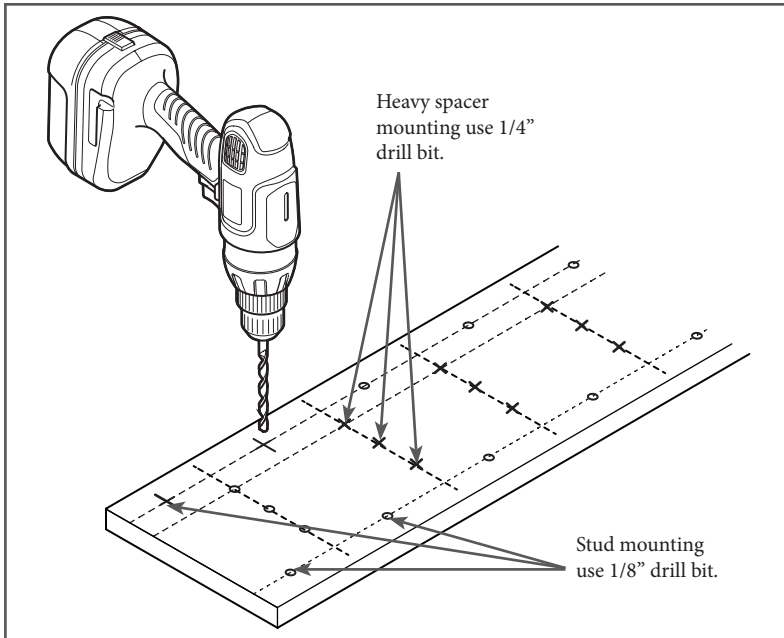


Figure 7

7. Drill out the holes marked for stud mounting using a drill and 1/8" drill bit. Drill out the holes marked for heavy spacer mounting using a drill with a 1/4" drill bit (Figure 7).

8. Align the line on the wall with the line made on the header in step 4. Ensure pilot holes align with wall studs (Figure 8).

9. Install header using 3" wood screws (D.) (Figure 8).

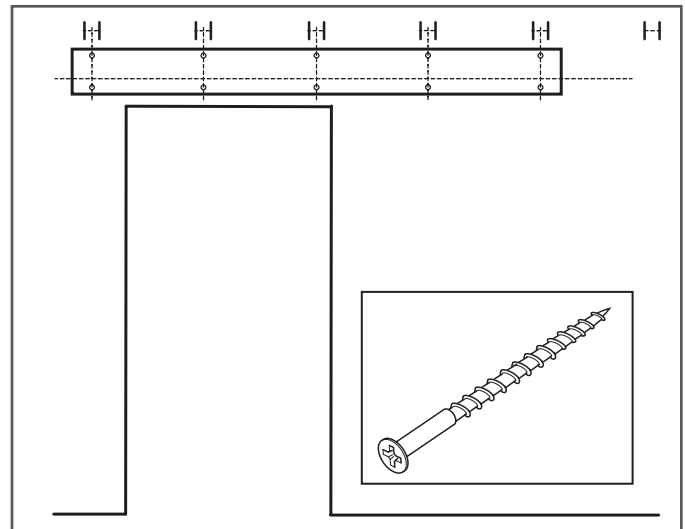


Figure 8

HEAVY SPACER Installation Instructions

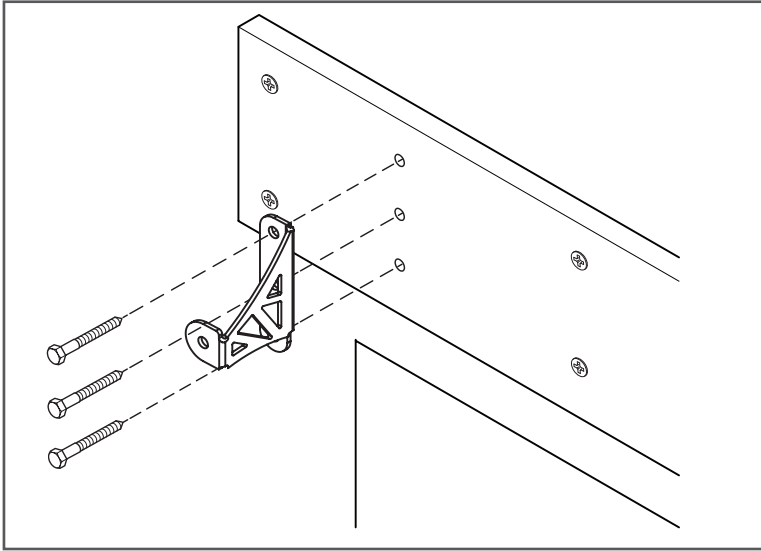


Figure 9

10. Install spacers (A.) with a socket wrench using lag screws (B.) (Figure 9).

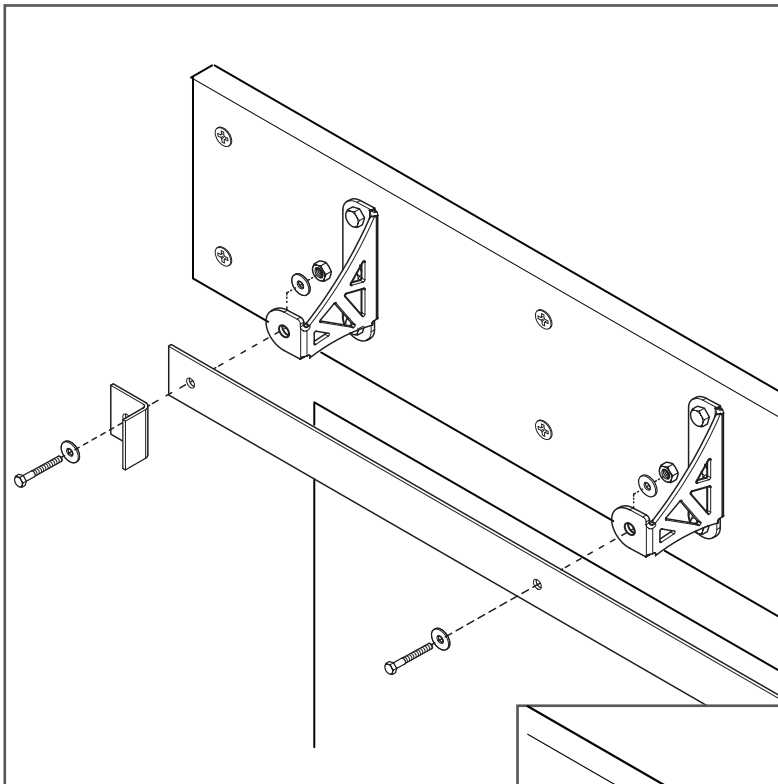


Figure 10

11. Beginning with the end spacer on either end of the header, install the track using a socket wrench and combination wrench and one hex bolt (C.), two washers (D.), one nut (E.), and one hard stop (G.) (Figure 10). Do not tighten.

12. Rotate the track up and repeat installation for the other end of the track. Do not tighten.

13. Attach the track to the remaining spacers using one hex bolt, two washers, and one nut for each spacer. Tighten all hardware.

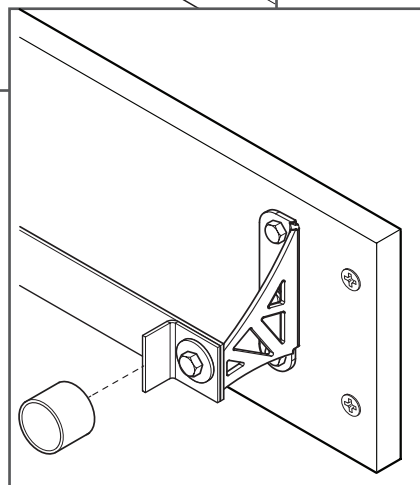


Figure 10A

14. Stretch rubber bumper (provided) over hard stop. Repeat for the hard stop on the other end of the track (Figure 10A).

WE LOVE WHAT YOU ARE DOING WITH THE PLACE

CONGRATULATIONS ON YOUR DECISION TO BRING HOME
AN AMERICAN MADE PRODUCT OF THE HIGHEST QUALITY.
WE HOPE YOUR HEAVY SPACER BRINGS ART AND FUNCTION INTO
YOUR LIFE.

DESIGNED AND CRAFTED
ENTIRELY IN THE

U.S.A.



DON'T BE A STRANGER. FOLLOW US
ON SOCIAL MEDIA.



support@rusticahardware.com