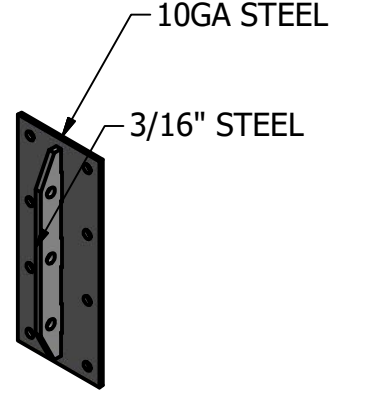
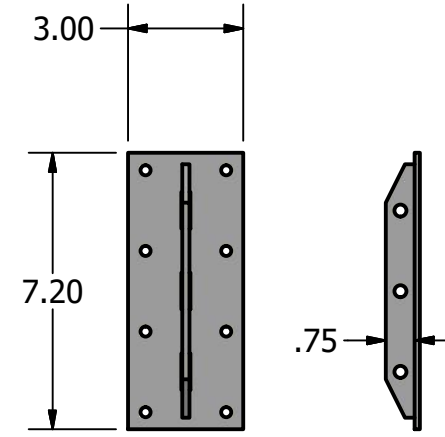
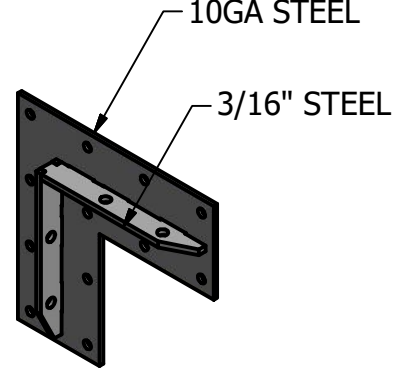
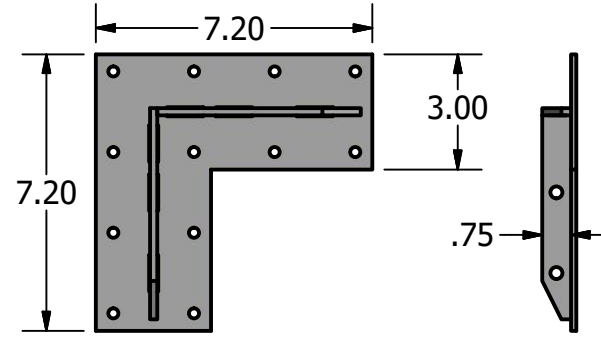
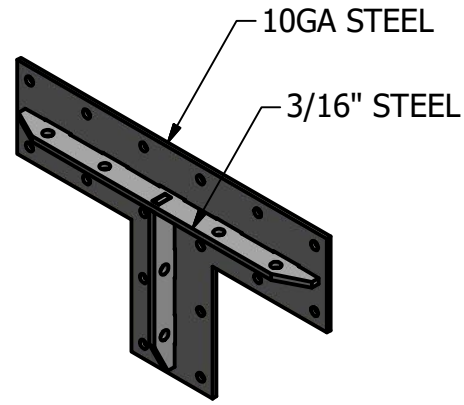
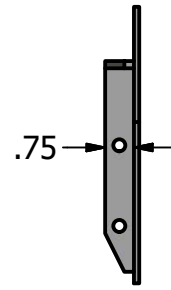
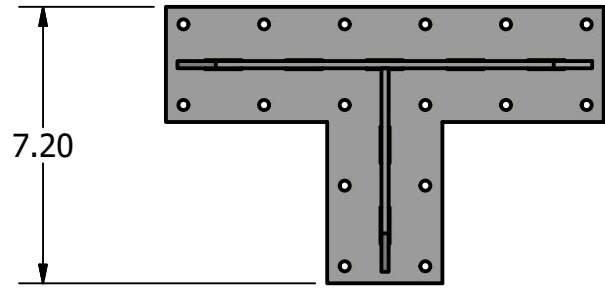


NOTES:
3" BRACKET SIZE TO USE .25" LAGS



DRAWN A.ZUNDEL		2/23/2017		RUSTICA HARDWARE	
CHECKED					
TOLERANCE BLOCK ALL DIM IN INCHES X.X=±.1 X.XX=±.05 X.XXX=±.005				TITLE MINI VICTOR HEAVY	
SIZE B		DWG NO		REV	
SCALE		SHEET 1 OF 1			