

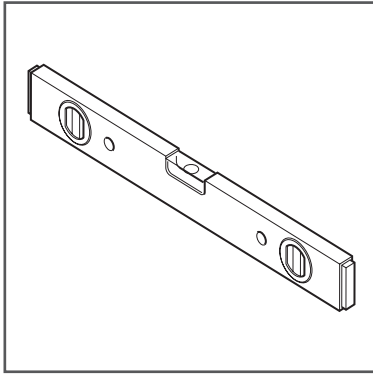


TOP MOUNT REFLEX HANGER

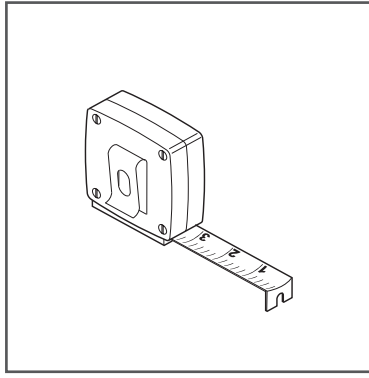
ASSEMBLY INSTRUCTIONS



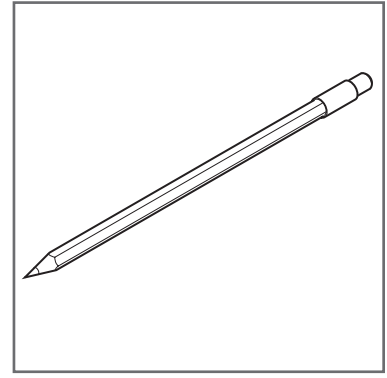
TOP MOUNT REFLEX HANGER Recommended Tools



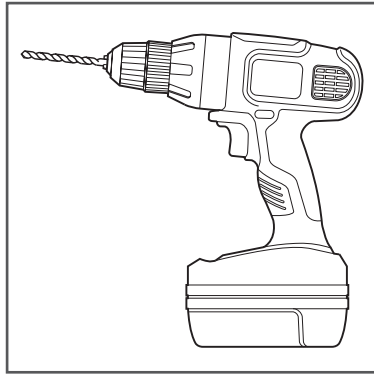
Level



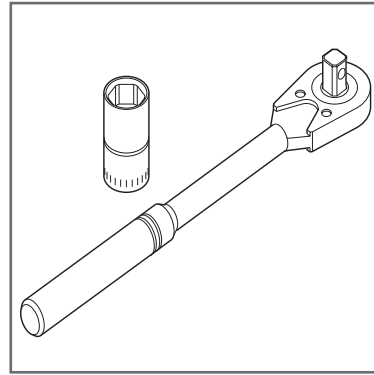
Tape Measure



Pencil

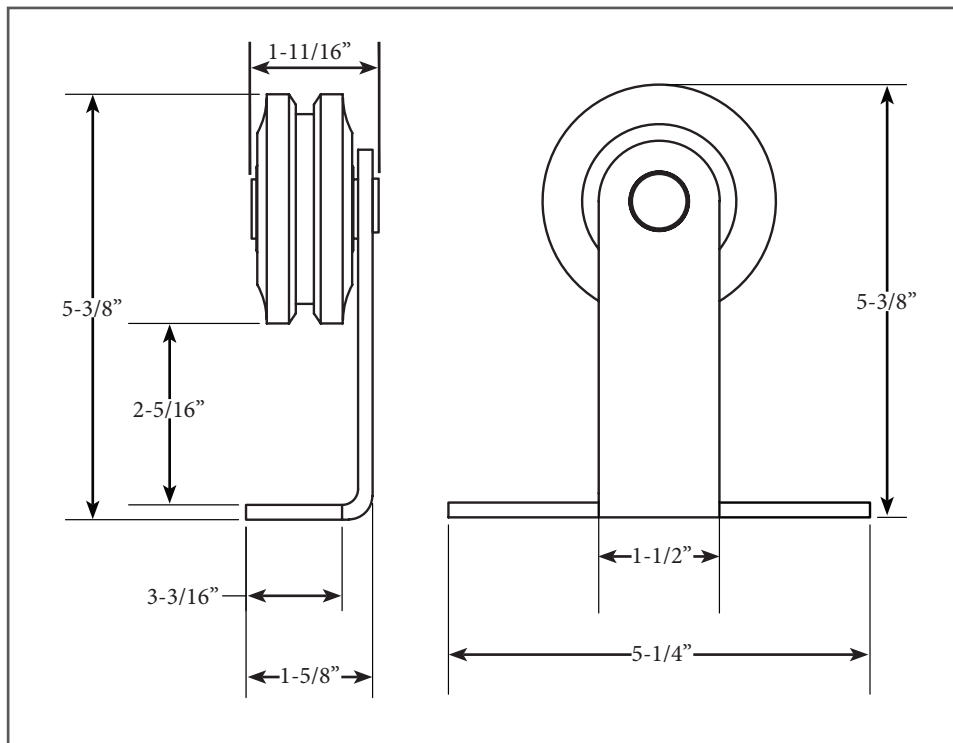


Drill with 1/8", and 1/4",
Drill Bits and Phillips Bit

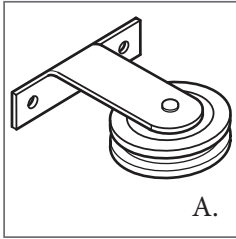


Socket Wrench with
9/16" Socket

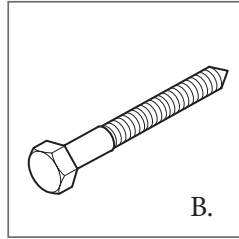
TOP MOUNT REFLEX HANGER Specifications



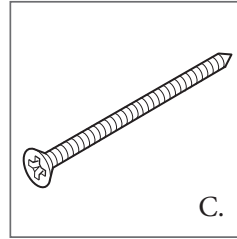
TOP MOUNT REFLEX HANGER Parts



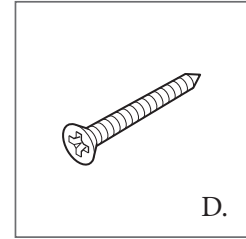
A.



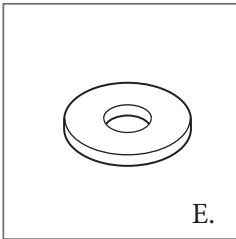
B.



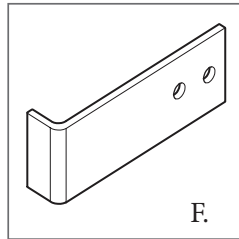
C.



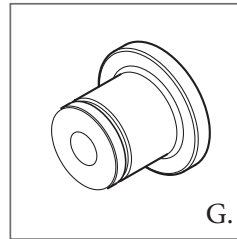
D.



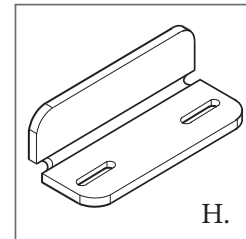
E.



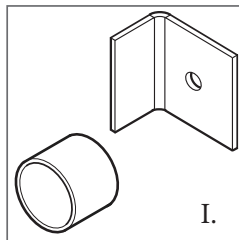
F.



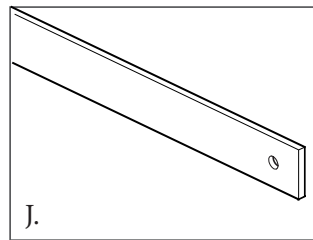
G.



H.



I.



J.

PARTS

- A. Hanger Assembly
- B. Lag Screw
- C. Fastener Screw
- D. Phillips Screw
- E. 1" Washer
- F. Anti-jump Bracket
- G. Adjustable Spacers
- H. Door Guide
- I. Hard Stop & Rubber Bumper
- J. Track

**USE TEAMWORK - WE RECOMMEND
TWO PEOPLE FOR THIS BUILD.**

TOP MOUNT REFLEX HANGER Assembly Instructions

NOTE:

Doors using Floor Mount Door Guides will have a groove on the bottom. Ensure this groove is on the opposite end of the Door Hanger Installation.

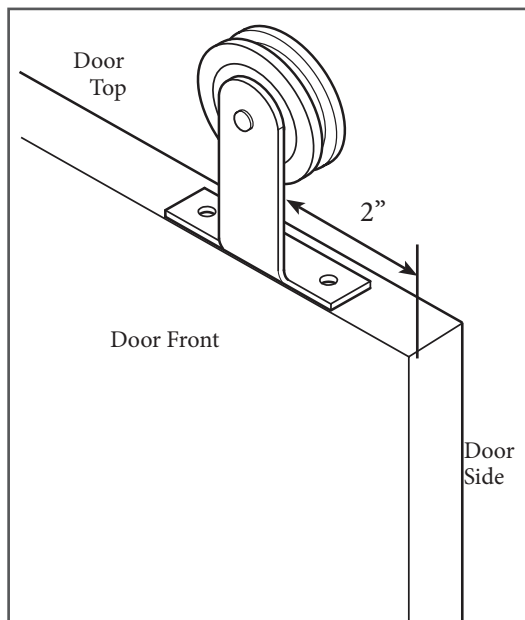
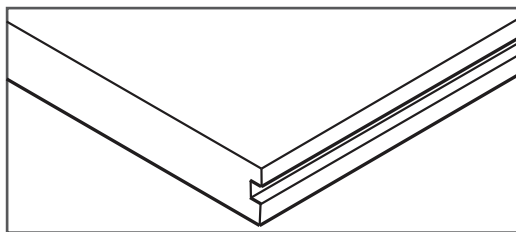


Figure 1

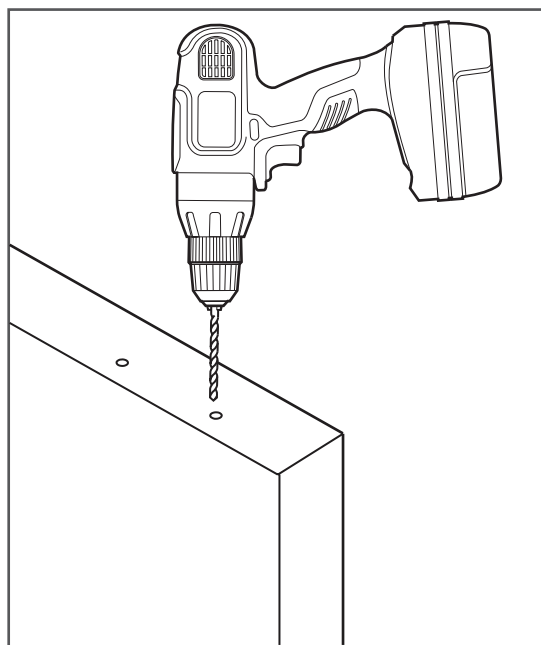


Figure 2

INSTALLATION FOR SQUARE-EDGE DOORS

1. Place the hanger on the top surface of the door, 2" from the edge of the door side and flush with the door front. Ensure the front of the hanger and the front of the door are facing the same direction (Figure 1).

NOTE:

If the door is 3 or more inches thick, mount the hanger in the center between the front and back of the door.

2. Using a pencil, mark the screw hole placement on the door top.
3. Repeat steps 1 and 2 for the opposite end of the door.
4. Drill two pilot holes for each hanger using a 1/8" bit (Figure 2).
5. Attach the hanger to the door using two fastener screws (provided). Repeat the process on the opposite end of the door (Figure 3).

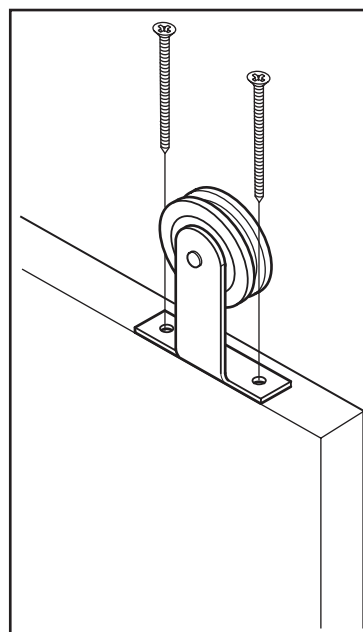


Figure 3

TOP MOUNT REFLEX HANGER Assembly Instructions

NOTE:

Doors using Floor Mount Door Guides will have a groove on the bottom. Ensure this groove is on the opposite end of the Door Hanger Installation.

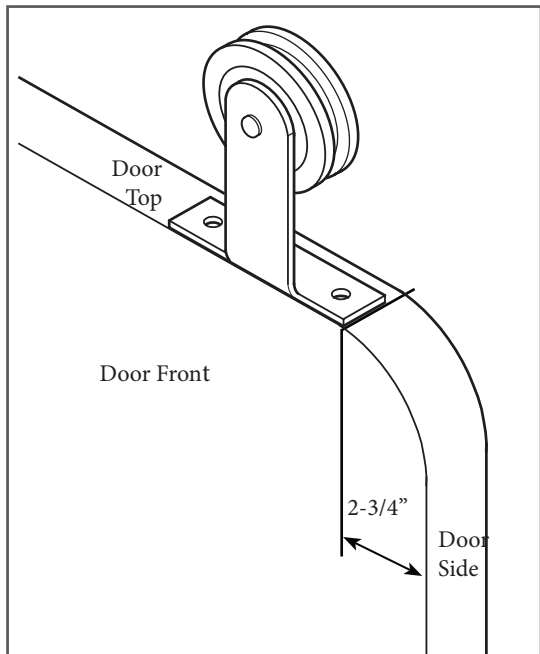
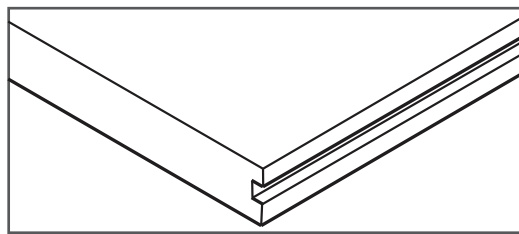


Figure 1

INSTALLATION FOR CURVE-EDGE DOORS

1. Place the hanger on the top surface of the door, 2-3/4" from the edge of the door side and flush with the door front. Ensure the front of the hanger and the front of the door are facing the same direction (Figure 1).

NOTE:

If the door is 3 or more inches thick, mount the hanger in the center between the front and back of the door.

2. Using a pencil, mark the screw hole placement on the door top.

3. Repeat steps 1 and 2 for the opposite end of the door.

4. Drill two pilot holes for each hanger using an 1/8" bit (Figure 2).

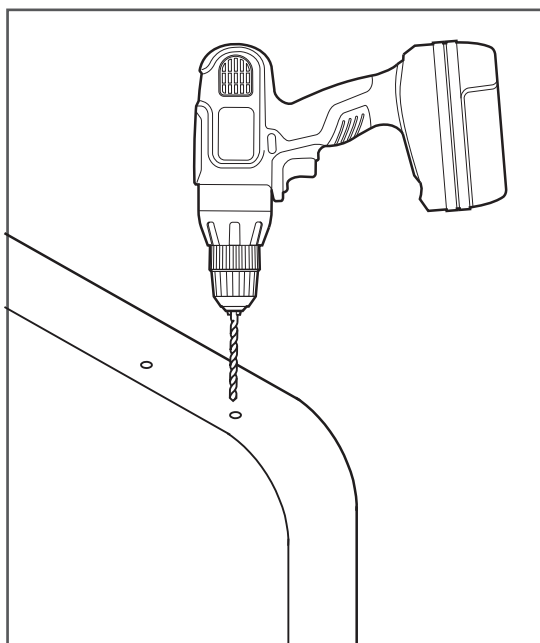


Figure 2

5. Attach the hanger to the door using two fastener screws (provided). Repeat the process on the opposite end of the door (Figure 3).

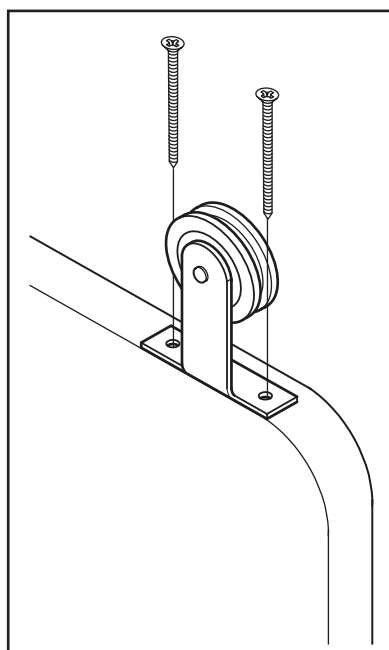


Figure 3

FIRST THINGS FIRST

Check to see if the floor below the track area is level. If the floor rises more than 1/2" the door may rub or not slide open completely. If the floor is not level, measure from the highest point of the floor surface to the recommended track placement and adjust track placement accordingly.

Ensure the track will be installed onto wall studs. If wall studs are not lining up with the installation a header will be required to provide the necessary strength and stability for the track and door.

TRACK & DOOR INSTALLATION

1. To determine where the track should be installed, first measure the height of the door, then add 2-1/8" to the door length. 1/2" will be for the clearance between the bottom edge of the door and the floor. 1-5/8" will be from the top edge of the door to the center of the track. (Figure 1).

2. Using a level and a pencil, make a line above the doorway the same length as the track.

3. Hold the track up to where the pencil line is visible through the holes in the track (Figure 2).

SUGGESTION:
Use pieces of double stick tape on the back of the track to help hold the track in place while completing steps 2 and 3.

4. Mark an intersecting line in the center of each track hole (Figure 2).

5. Take the track down, remove double stick tape (if used) and set the track aside.

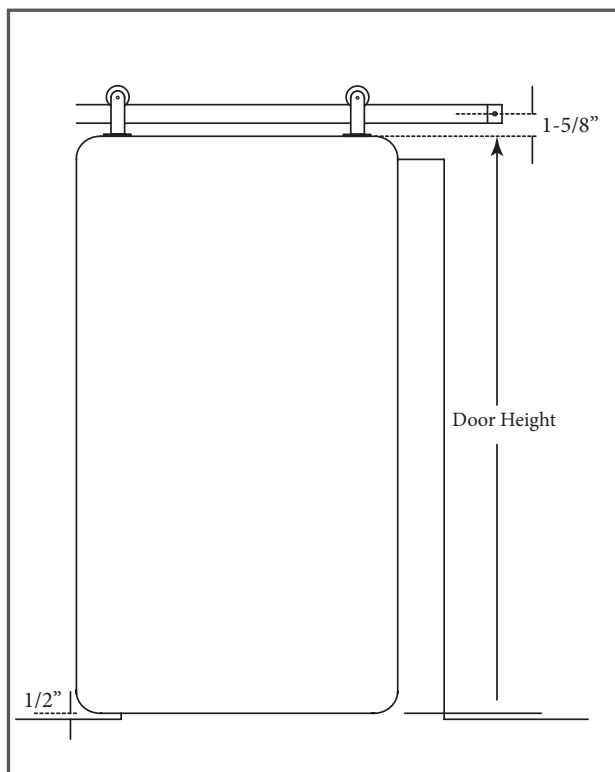


Figure 1

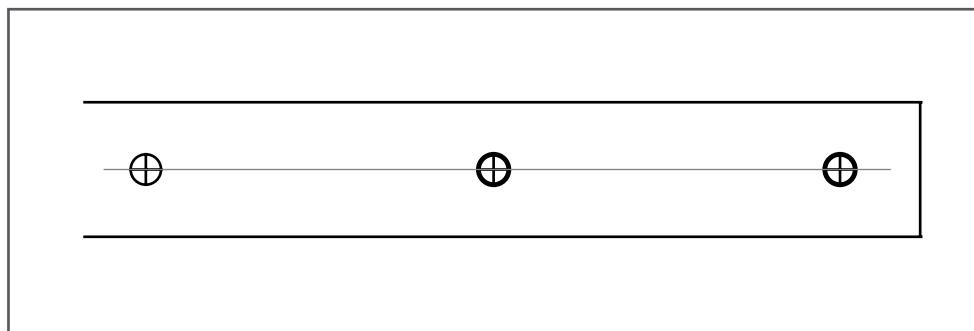


Figure 2

TOP MOUNT REFLEX HANGER Track & Door Installation Instructions

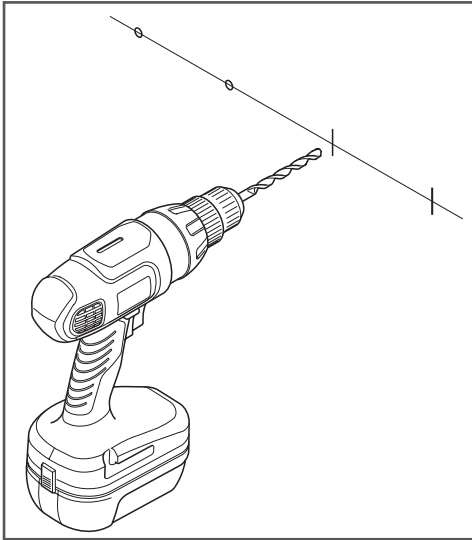


Figure 3

6. Drill out the marked holes using a drill with a 1/4" drill bit (Figure 3).

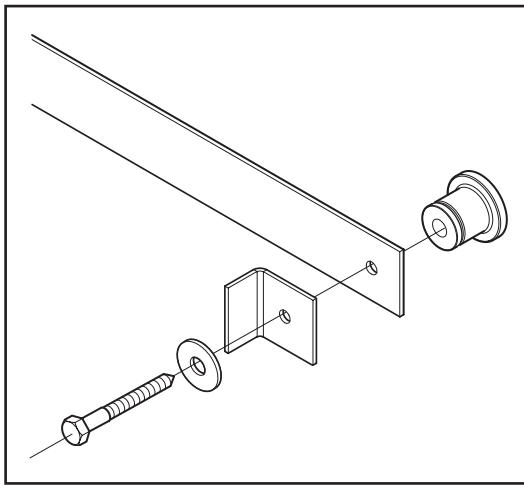


Figure 4

7. Attach one end of the track to the wall with one hard or soft stop, one lag screw, and one washer (provided) using a socket wrench with 9/16" socket (Figure 4). Do not tighten.

8. Repeat step 7 for the other end of the track.

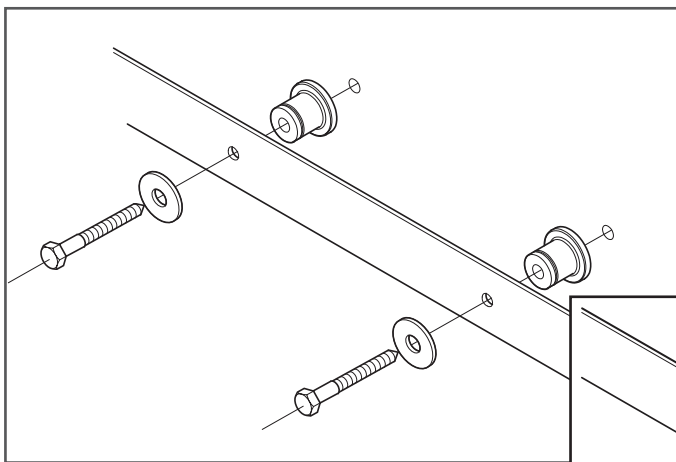


Figure 5

9. Install remaining spacers with lag screws and washers (provided) using a 9/16" socket wrench (Figure 5). Tighten all lag screws.

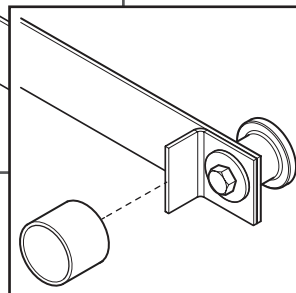


Figure 5A

10. Stretch rubber bumper (provided) over hard stop. Repeat for the hard stop on the other end of the track (Figure 5A).

TOP MOUNT REFLEX HANGER Track & Door Installation Instructions

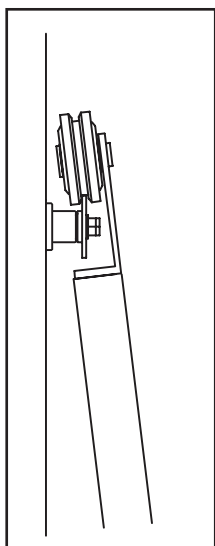


Figure 6

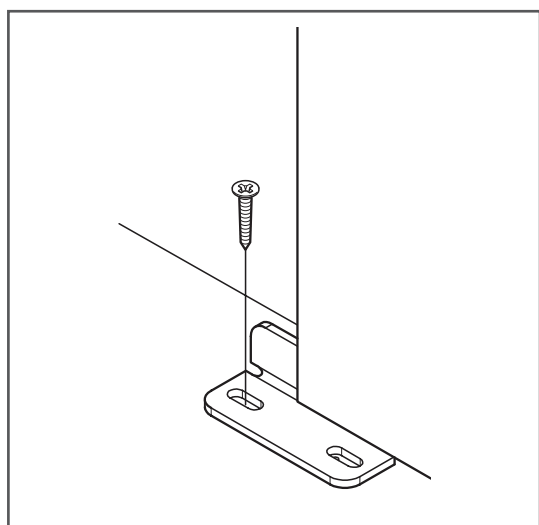


Figure 7

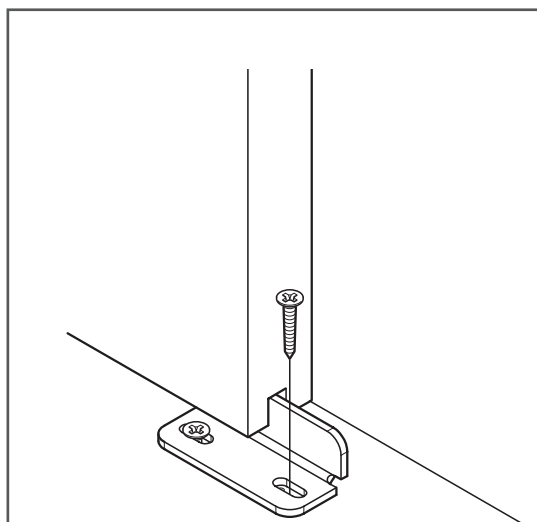


Figure 8

11. Hang the door (Figure 6).

DOOR GUIDE INSTALLATION

12. With the door in the closed position, ensure the door is hanging straight using a bubble level.

13. Position the Door Guide part way into the groove in the bottom of the door (Figure 7).

SUGGESTION:

Use double stick tape on the bottom of the door guide to hold the guide in place.

14. Install the Door Guide using a 1" phillips screw (provided) and a drill with a phillips bit.

15. Slide the door toward the open position until the other side of the Door Guide is exposed.

16. Install the second 1" phillips screw (provided) using a drill with a phillips bit (Figure 8).

ANTI-JUMP GUIDE INSTALLATION FOR SQUARE-EDGE DOORS

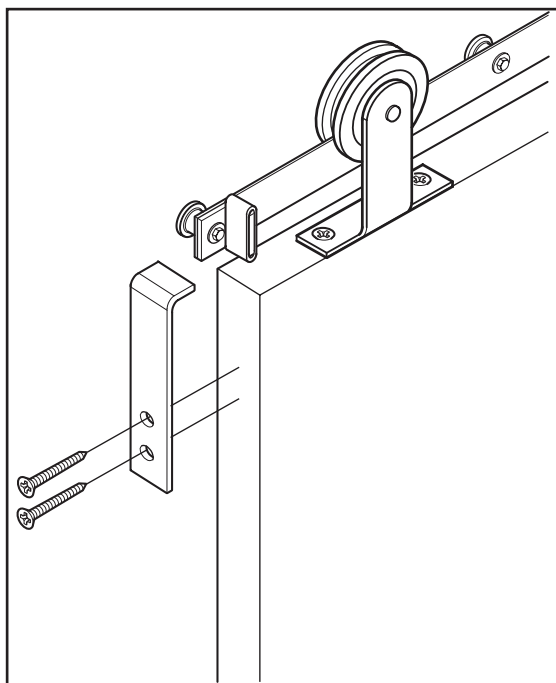


Figure 9

17. Place the Anti-Jump bracket on the door side, moving the bracket up until it is between 1/8" and 1/16" from the bottom edge of the track. Mark the placement with a pencil.

SUGGESTION:

Use double stick tape on the back of the anti-jump bracket to hold it in place on the door.

18. Install the bracket to the door edge with 2 phillips screws (provided) using a drill with a phillips bit (Figure 9).

19. Repeat steps 16 and 17 for the opposite end of the door.

ANTI-JUMP GUIDE INSTALLATION FOR CURVE-EDGE DOORS

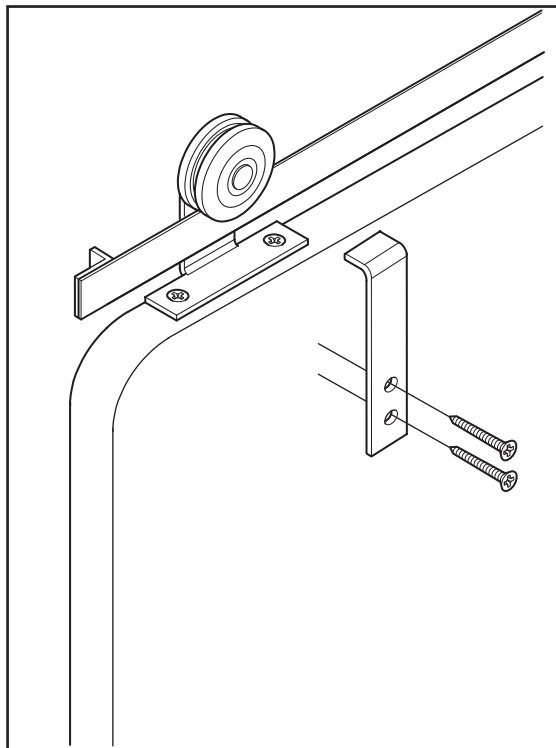


Figure 10

20. Place the Anti-Jump bracket on the door back, moving the bracket up until it is between 1/8" and 1/16" from the bottom edge of the track. Mark the placement with a pencil.

SUGGESTION:

Use double stick tape on the back of the anti-jump bracket to hold it in place on the door.

21. Install the bracket to the back of the door with 2 phillips screws (provided) using a drill with a phillips bit (Figure 10).

22. Repeat steps 20 and 21 for the opposite end of the door.

WE LOVE WHAT YOU ARE DOING WITH THE PLACE

CONGRATULATIONS ON YOUR DECISION TO BRING HOME
AN AMERICAN MADE PRODUCT OF THE HIGHEST QUALITY.
WE HOPE YOUR TOP MOUNT REFLEX HANGER BRINGS ART AND
FUNCTION INTO YOUR LIFE.

DESIGNED AND CRAFTED
ENTIRELY IN THE

U.S.A.



DON'T BE A STRANGER. FOLLOW US
ON SOCIAL MEDIA.



support@rusticahardware.com