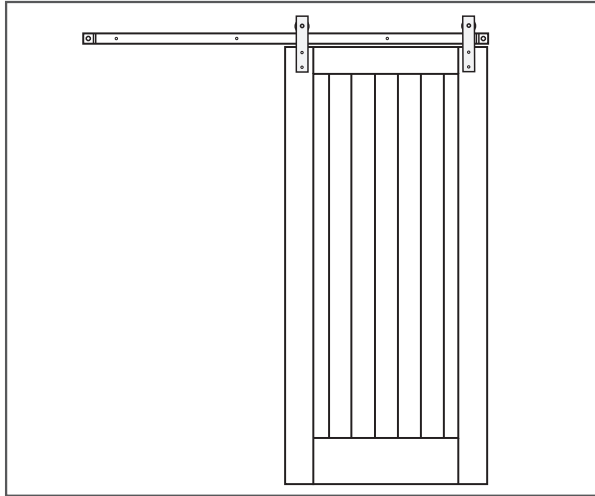


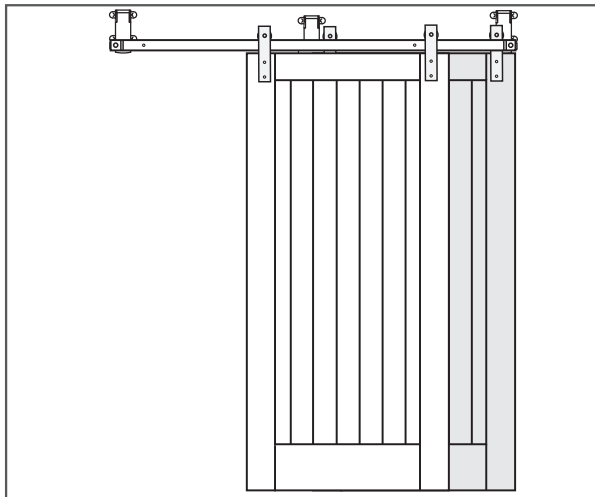


## SYSTEM OPTIONS



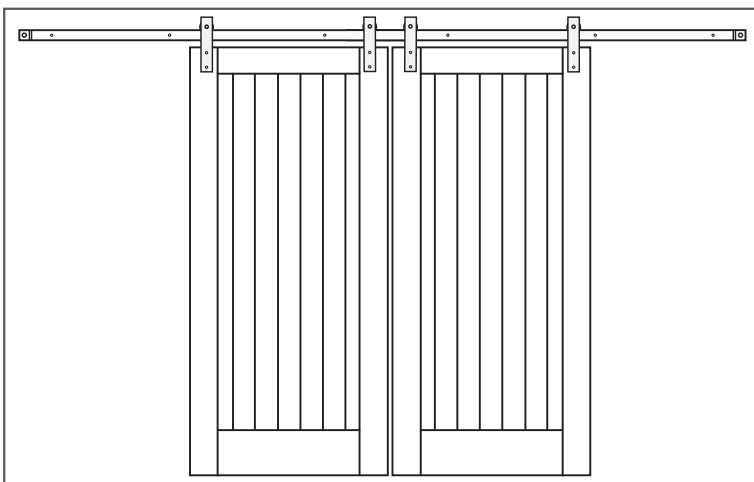
### STANDARD SYSTEMS

Standard Systems include one door and a single track. The door will require two hangers, one hanger for each end of the door.



### BYPASS SYSTEMS

Bypass Systems include two or more tracks and two or more doors. Each door will require two hangers, one hanger for each end of the door. Quantities will depend on the number of doors.



### BYPART SYSTEMS

Bypart Systems include one track and two or more doors. Each door will require two hangers, one hanger for each end of the door. Quantities will depend on the number of doors.