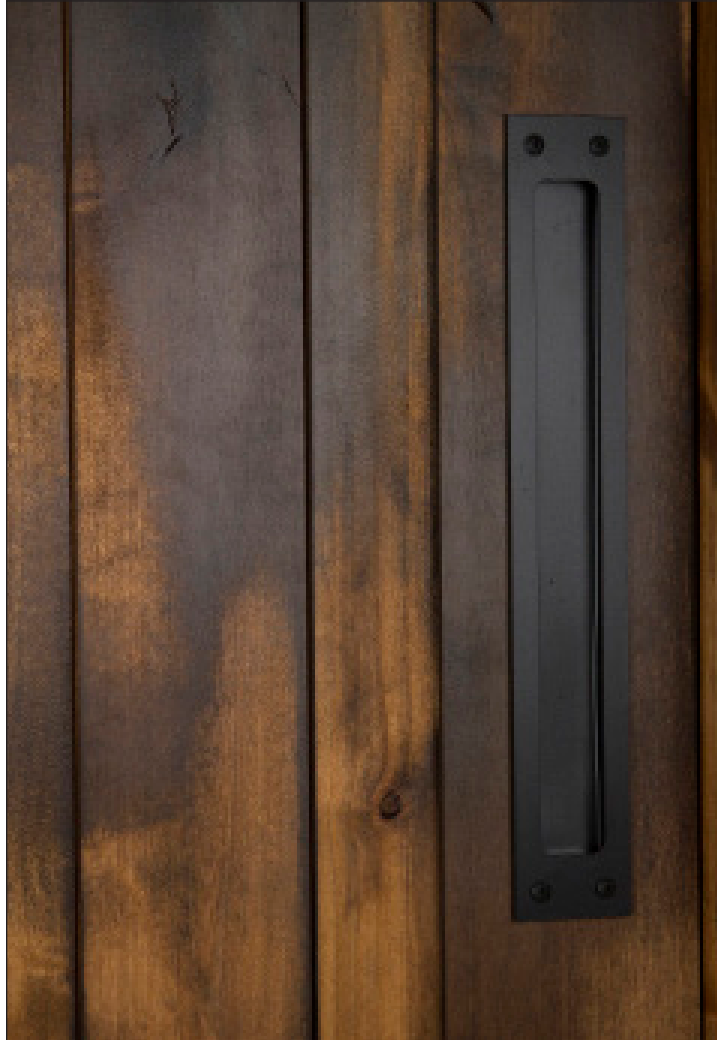
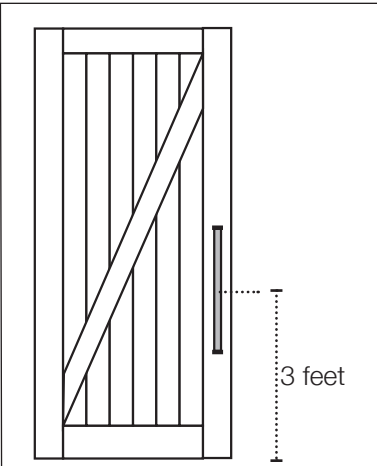


# Installing Flush Door Pulls

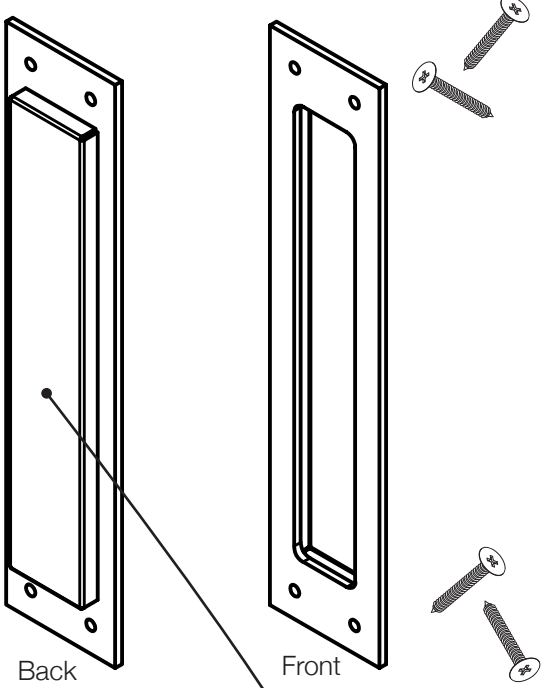


# Installing Flush Door Pulls



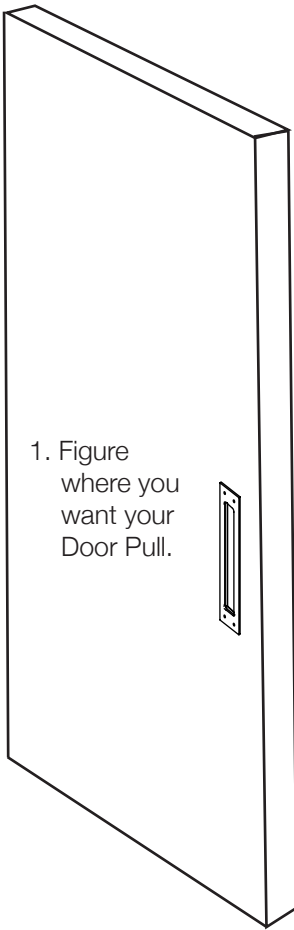
3 feet

The location where you attach your Door Pull is up to you. We suggest you don't attach your Door Pull too close to the edge of your Door or a seam, as this could weaken the integrity of your Door. Typically we recommend that the center of your Door Pull be lined up 3' from the bottom of the door."

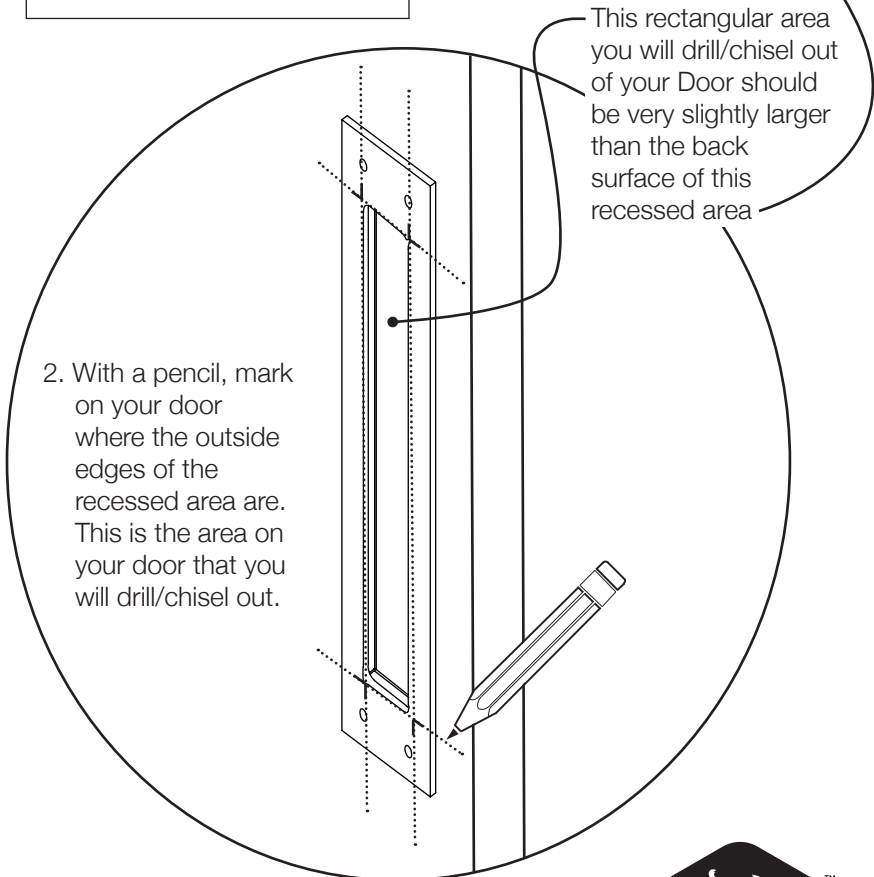


Back

Front

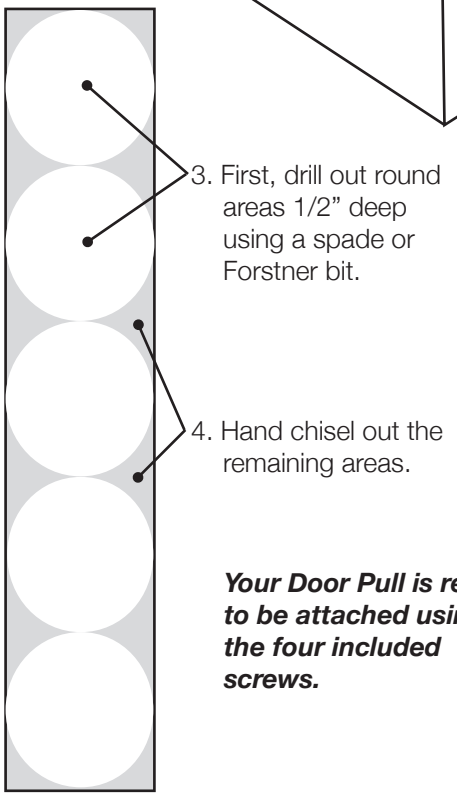


1. Figure where you want your Door Pull.



2. With a pencil, mark on your door where the outside edges of the recessed area are. This is the area on your door that you will drill/chisel out.

This rectangular area you will drill/chisel out of your Door should be very slightly larger than the back surface of this recessed area



3. First, drill out round areas 1/2" deep using a spade or Forstner bit.

4. Hand chisel out the remaining areas.

**Your Door Pull is ready to be attached using the four included screws.**

