

# INSTALLATION INSTRUCTIONS

## Heavy-Duty Bypass Track System



**Please Note:** This track system must be installed with the screws going into a solid surface such as studs or a header. Due to the spacing of the holes on these Brackets, it is not possible to mount them directly onto your wall into studs.



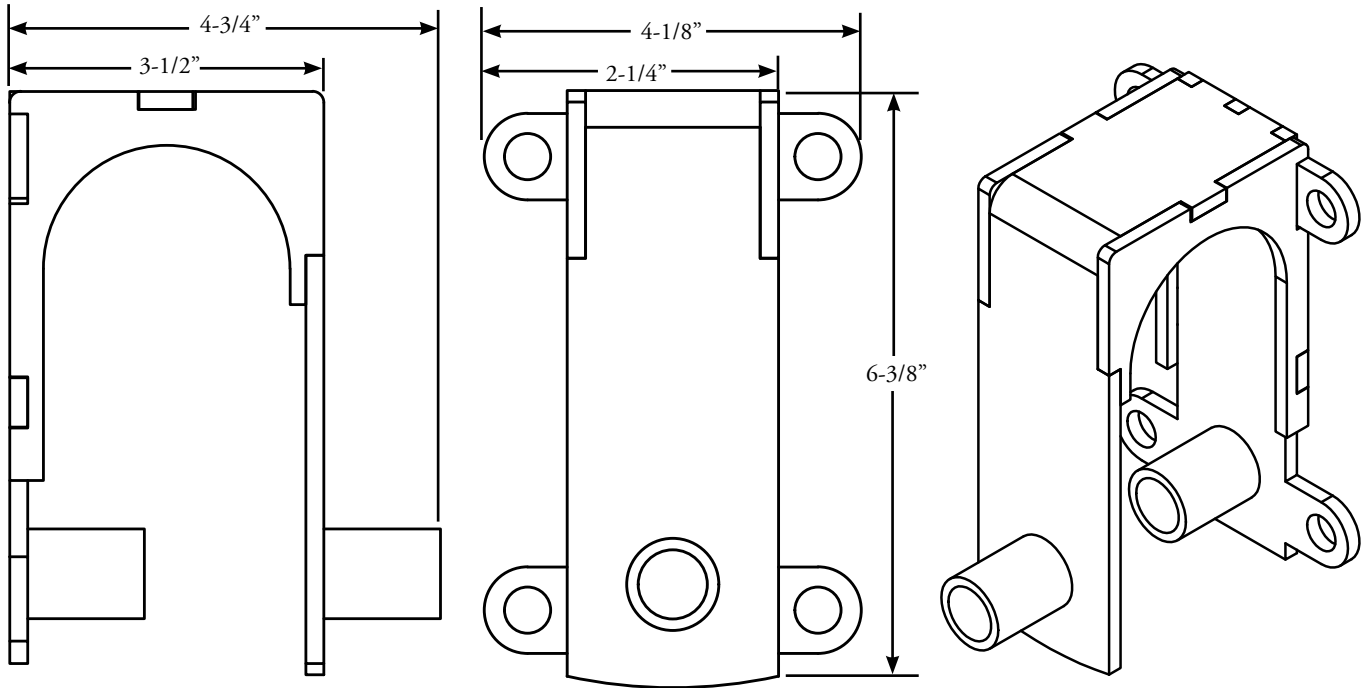
**RUSTICAHARDWARE®**



# Brackets

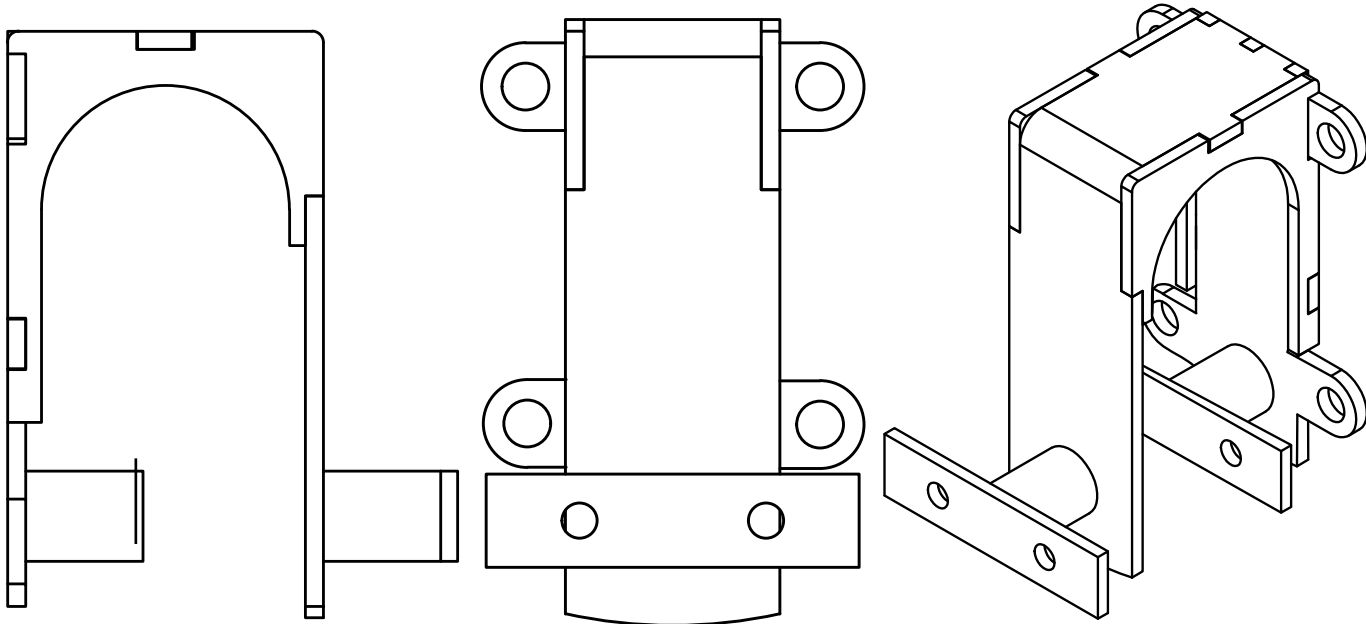
## INSTALLATION INSTRUCTIONS

### Bypass Brackets



### Bypass Splice Plate Bracket

For splicing two or more Tracks together.



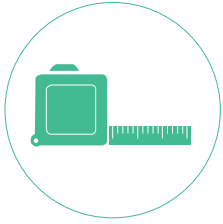
RUSTICAHARDWARE®



# Parts and Tools

## INSTALLATION INSTRUCTIONS

### Tools Needed



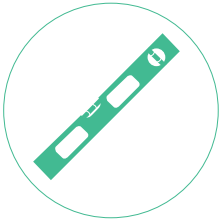
*Tape Measure*



*Pencil*



*Drill with 1/8", 1/4" and 3/8" bits, and Phillips bit*



*Short Level*

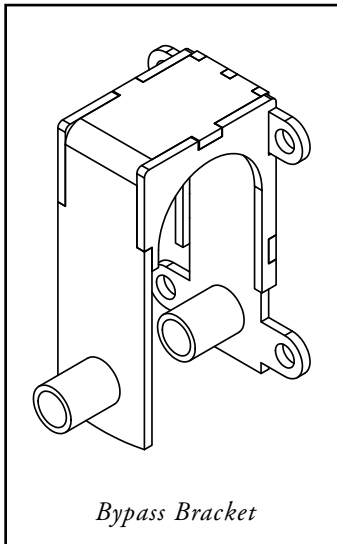


*Ratchet with 9/16" and 5/8" sockets*

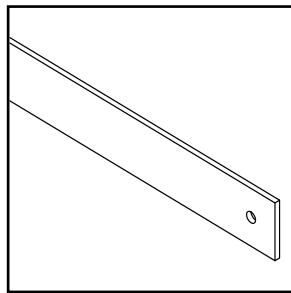


*9/16" and 5/8" open end and ratcheting wrench*

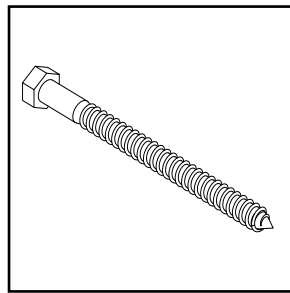
### Parts Included



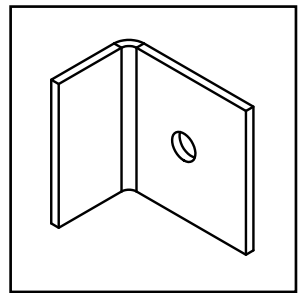
*Bypass Bracket*



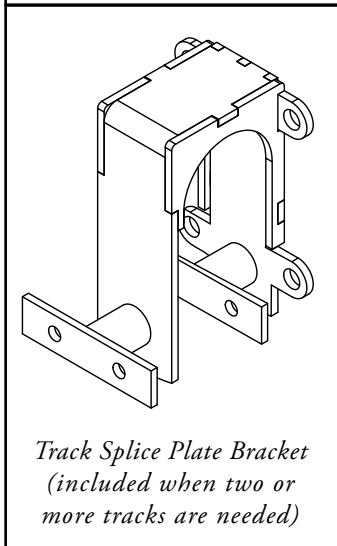
*Track*



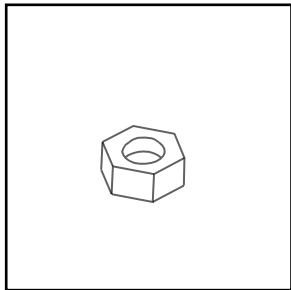
*Lag Screws*



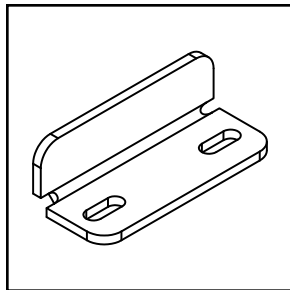
*Track Stops*



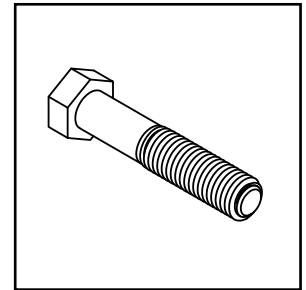
*Track Splice Plate Bracket  
(included when two or more tracks are needed)*



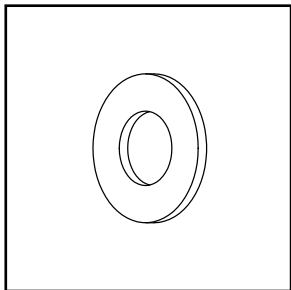
*Open Hex Nuts*



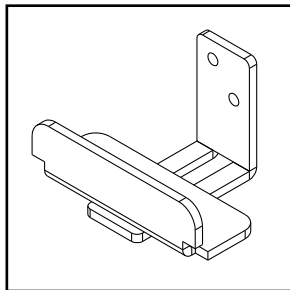
*Door Guide*



*Lag Bolts*



*1" Washers*



*Wall Mount Door Guide  
(optional)*

**PLEASE NOTE:** These instructions are specific to a particular Track System. Adjustments may be needed on your part for changes in specifications and measurements, as well as Track Systems that are different than these.



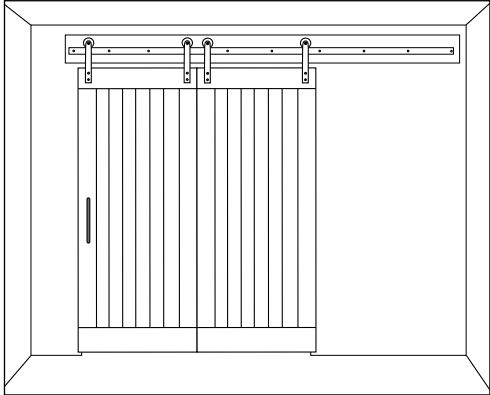
**RUSTICAHARDWARE®**



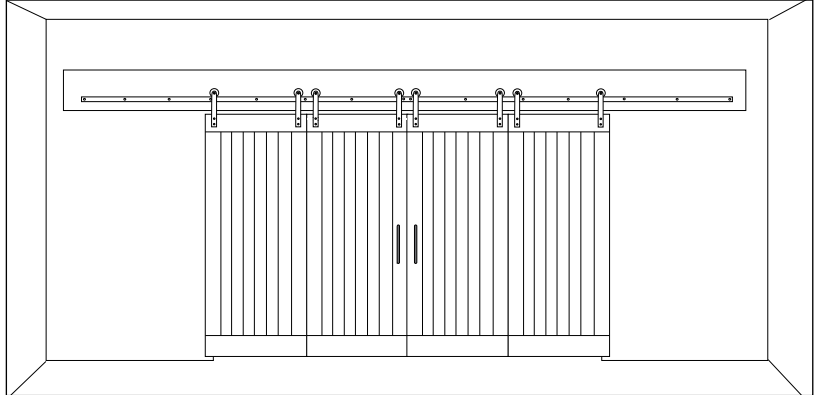
# Door Setups

## INSTALLATION INSTRUCTIONS

Depending on your doorway, you may choose a two-door or a four-door setup.

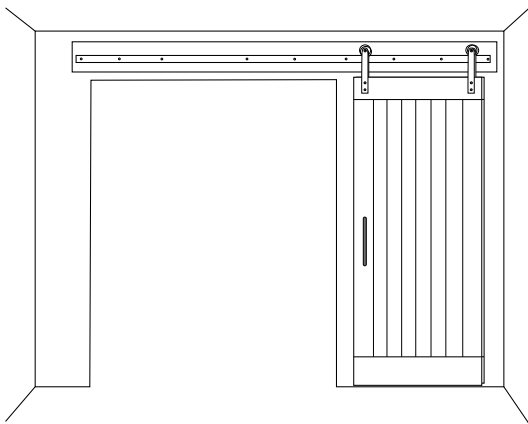
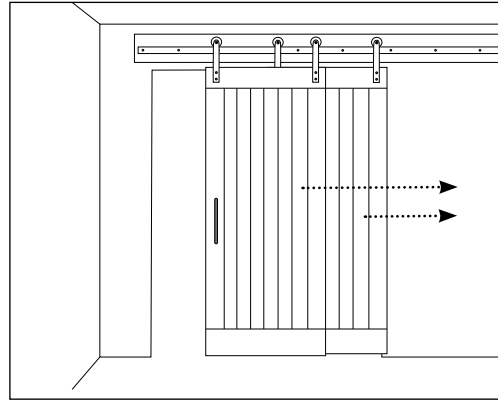
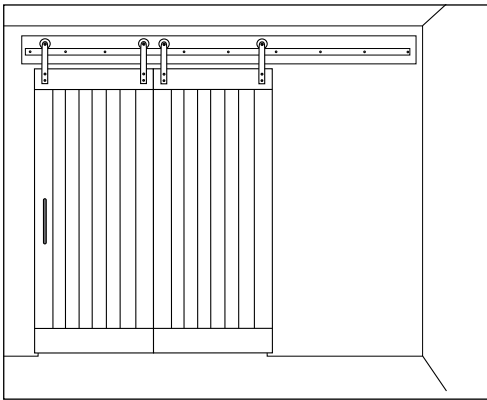


**Two-Door Setup**



**Four-Door Setup**

### Two-Door Setup



Both Doors glide smoothly to the side. Installing a Wall-Mount Door Guide as a Come Along will allow opening and closing both Doors with one easy motion. See pages 11 and 12.

**Please Note:** This track system must be installed with the screws going into a solid surface such as studs or a header. Due to the spacing of the holes on these Brackets, it is not possible to mount them directly onto your wall into studs.

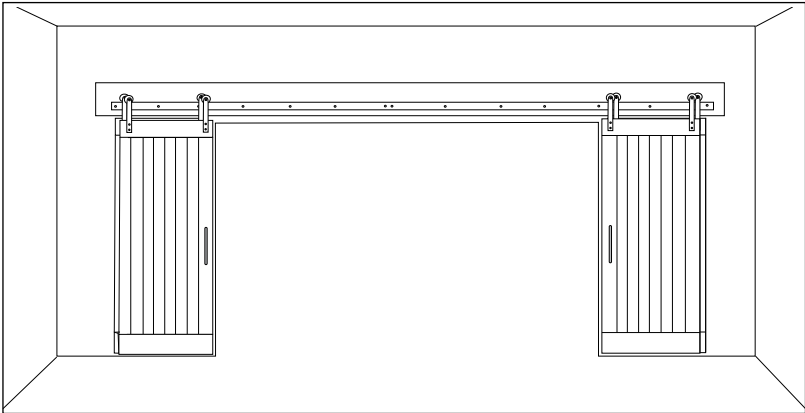
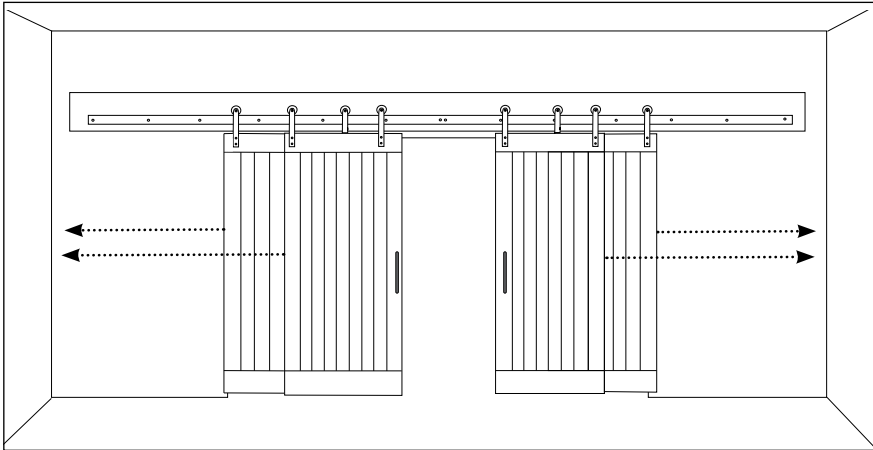
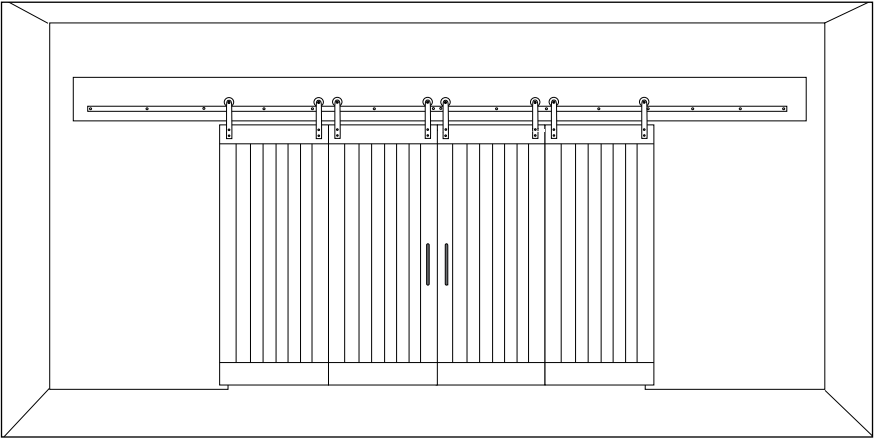


# Door Setups

## INSTALLATION INSTRUCTIONS

### Four-Door Setup

---



All four Doors glide smoothly out of the way; two to one side and two to the other side. Installing a Wall-Mount Door Guide as a Come Along on each pair will allow opening and closing your Doors on either side with one easy motion (see pages 11 and 12).



**RUSTICAHARDWARE®**



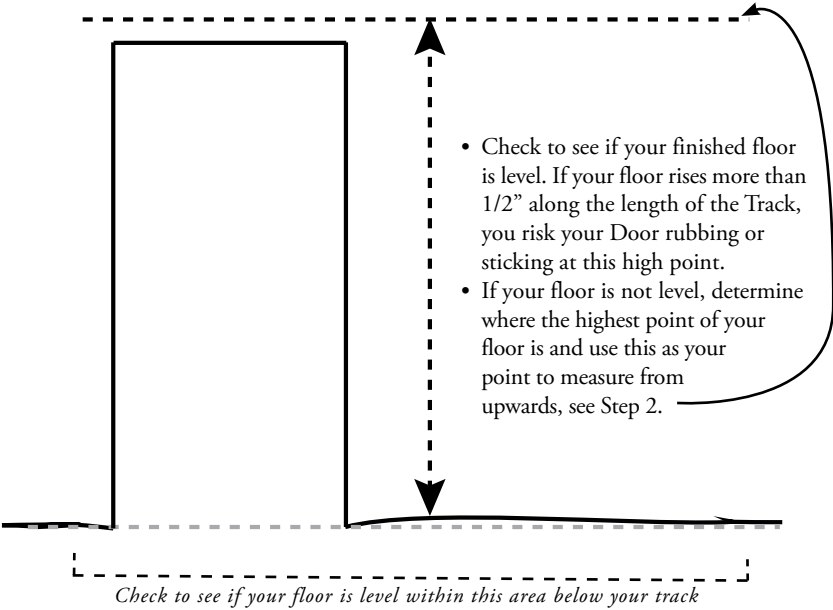
# Track Location

## INSTALLATION INSTRUCTIONS

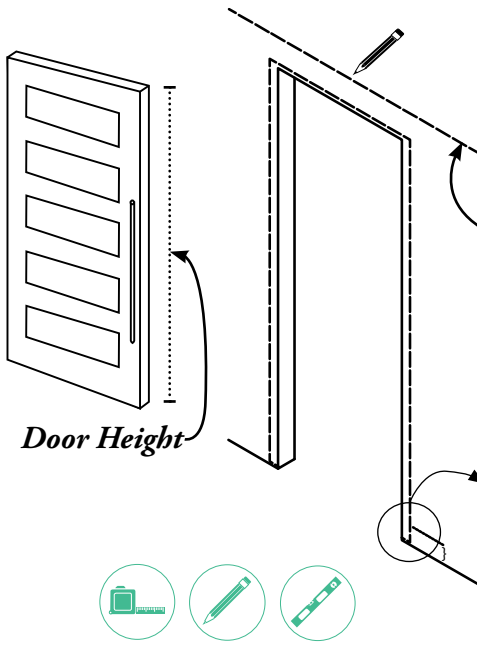
### 1. If Your Finished Floor is Not Level

**Please Note:** This track system must be installed with the screws going into a solid surface such as studs or a header. Due to the spacing of the holes on these Brackets, it is not possible to mount them directly onto your wall into studs.

We recommend getting someone to help you, especially when installing a Header.



### 2. Measuring and Marking for Hanger and Track Position



- To determine where to install your Brackets and Track, **add together 1-3/8" (space above door to Track Location) plus 1/2" (floor gap) to the height of your Door.** This measurement is how high up on your wall (from your finished floor up) you should install the Brackets and Track.
- This is where you will mark a horizontal line on your wall parallel to the finished floor, the same length of your Track.

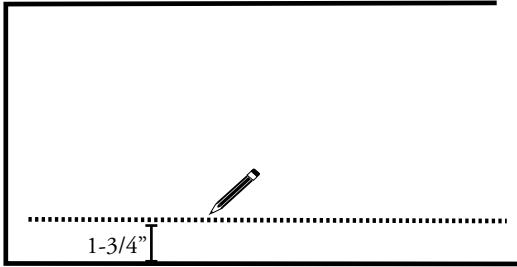
$$\begin{array}{r}
 1-3/8" \\
 + \text{Door Height} \\
 + 1/2" \\
 \hline
 = \text{# of inches up from finished floor where you will pencil a horizontal line for your Brackets and Track. This line will mark the center of the Track.}
 \end{array}$$



# Header and Brackets

## INSTALLATION INSTRUCTIONS

### 1. Measuring and Marking the Header

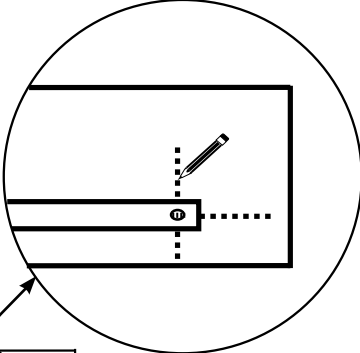
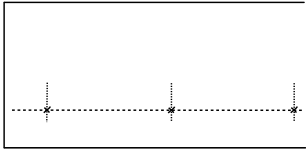
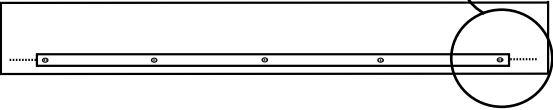


- Measure and pencil a line 1-3/4" up from the bottom of the Header. You will align this line with the line on your wall.

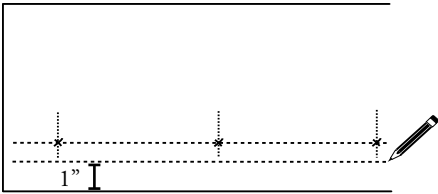


### 2. a. Marking Bracket Locations

- Lay the Track along the line, centering the Track holes over the line.
- Mark the center of each of the holes with a vertical line.



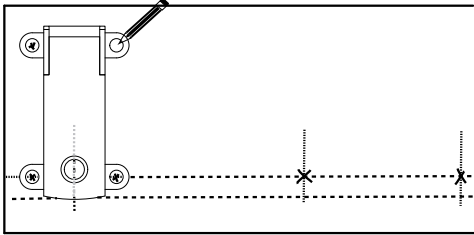
### 2. b. Marking Bracket Locations



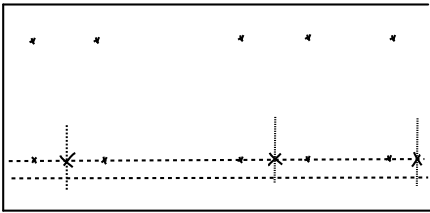
- Measure and pencil a second line 1" up from the bottom of the Header. This is where you will align the bottom edges of the Brackets.



### 3. Marking Drill Holes to Attach Bracket



- Place a Bypass Bracket centered onto the first vertical pencil marking, with the bottom of the Bracket Edge touching the bottom horizontal penciled line (1" from bottom edge of Header).
- With a pencil, mark the *center* of each of the four holes in the Bracket back. Repeat for remaining Brackets.



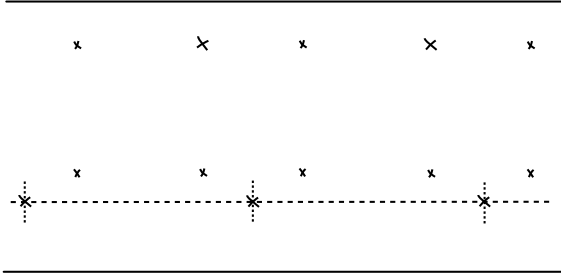
Marked and ready to drill pilot holes.



# Header and Brackets

## INSTALLATION INSTRUCTIONS

### 1. Drill Pilot Holes

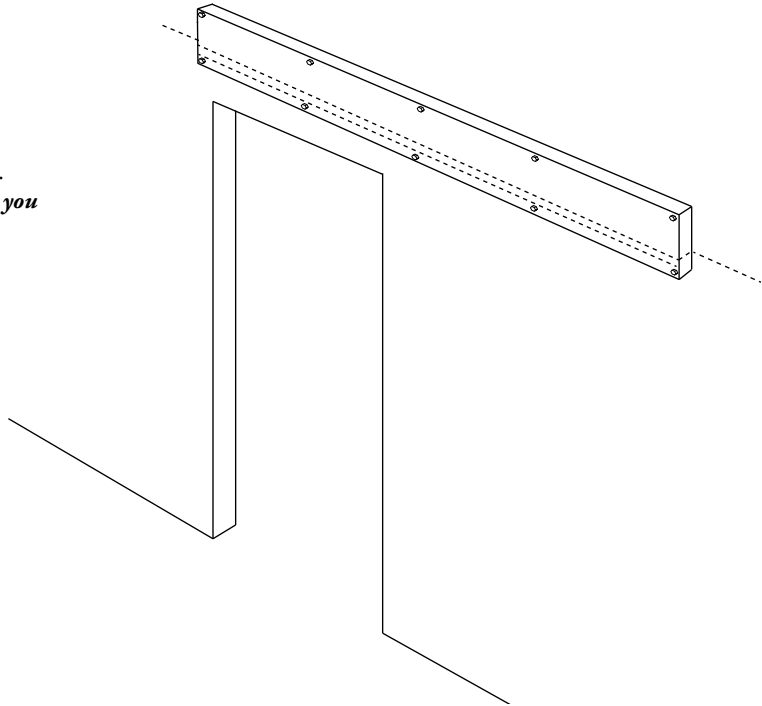


- Using a drill with a 1/8" bit, drill a pilot hole into the center of each of the markings (four for each Bracket).

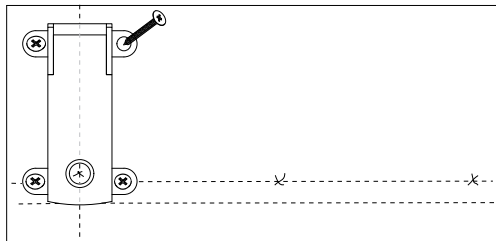


### 2. Attach Header to Wall

- Align the top penciled line on your Header (1-3/4" from the bottom of the Header) with the penciled line on your wall.
- Use a level to ensure your Header is straight. Attach the Header to the wall, **making sure you are drilling and attaching into wall studs.**



### 3. Attach Brackets to Header



- Attach each Bracket with Lag Screws and a Ratchet.



RUSTICAHARDWARE®





# Installing Tracks

## INSTALLATION INSTRUCTIONS

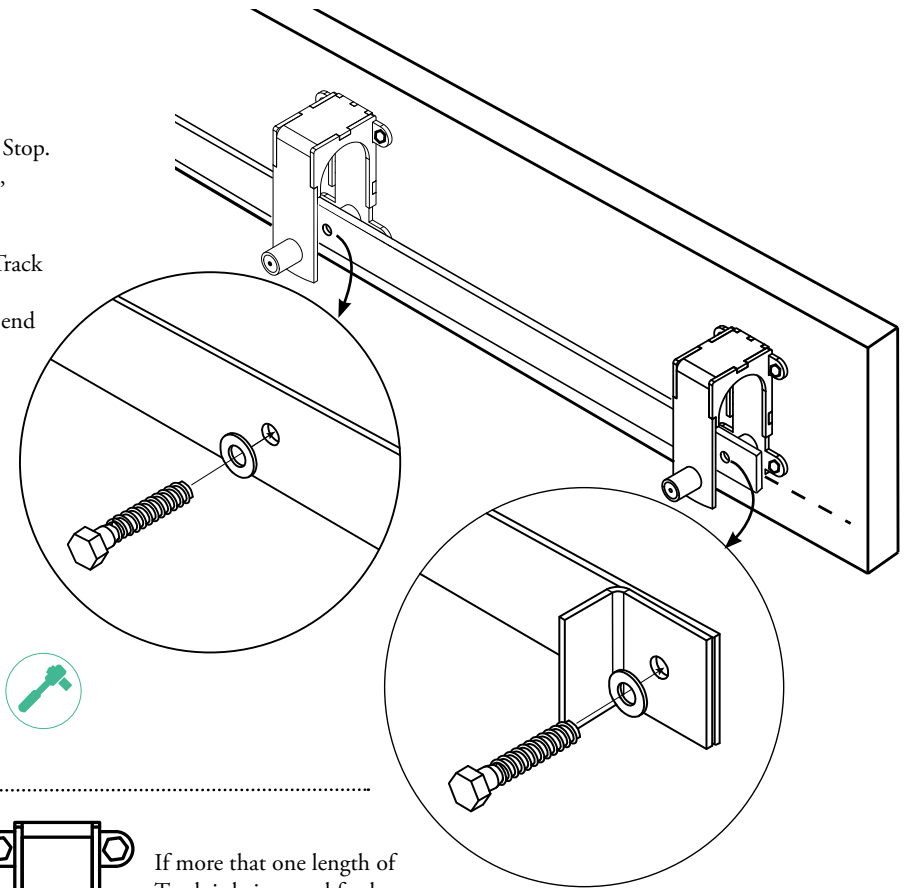
### 1. Installing Rear Track

#### Outside (End) Holes

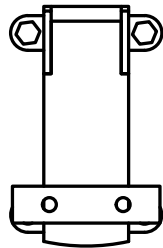
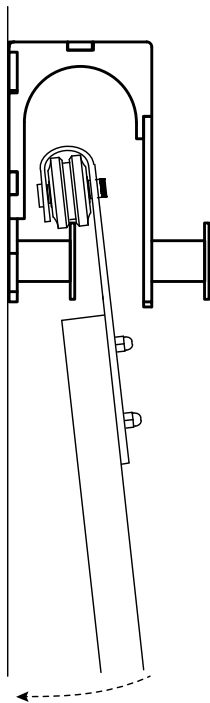
- The outside holes will be installed with a Door Stop. Install the first outside hole in this order: Track, Door Stop, Washer, and Lag Bolt.
- Using a ratchet with a 5/8" socket, tighten the Lag Bolt most of the way, enough to hold the Track in place, but allowing the Track to move.
- Swing the other end of your Track up with the end hole. Install the other end hole as in Step 1.

#### Inside Holes

- The hardware for the inside holes will be installed in this order: Track, Washer and Lag Bolt.
- Using a ratchet with a 5/8" socket, tighten the Lag Bolt most of the way.
- Install remaining inside holes in the same order.
- When all holes are installed, go back with a ratchet with a 5/8" socket and fully tighten, being careful not to over-tighten to avoid stripping the header or wall studs.

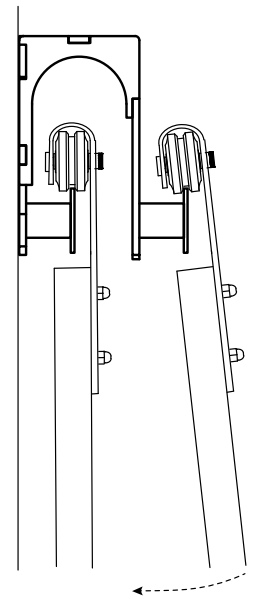
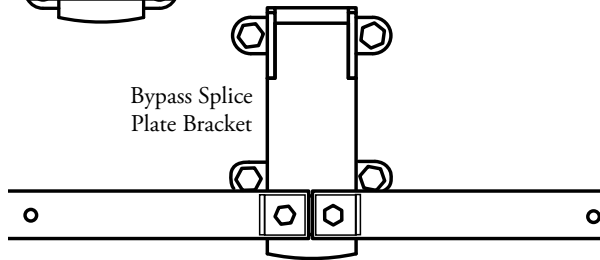


### 2. Hanging Your Back Door(s)



If more than one length of Track is being used for longer installation applications, use the Bypass Splice Plate Bracket to join the Tracks together, as shown here.

Bypass Splice Plate Bracket



### 3. Installing Front Track and Door(s)

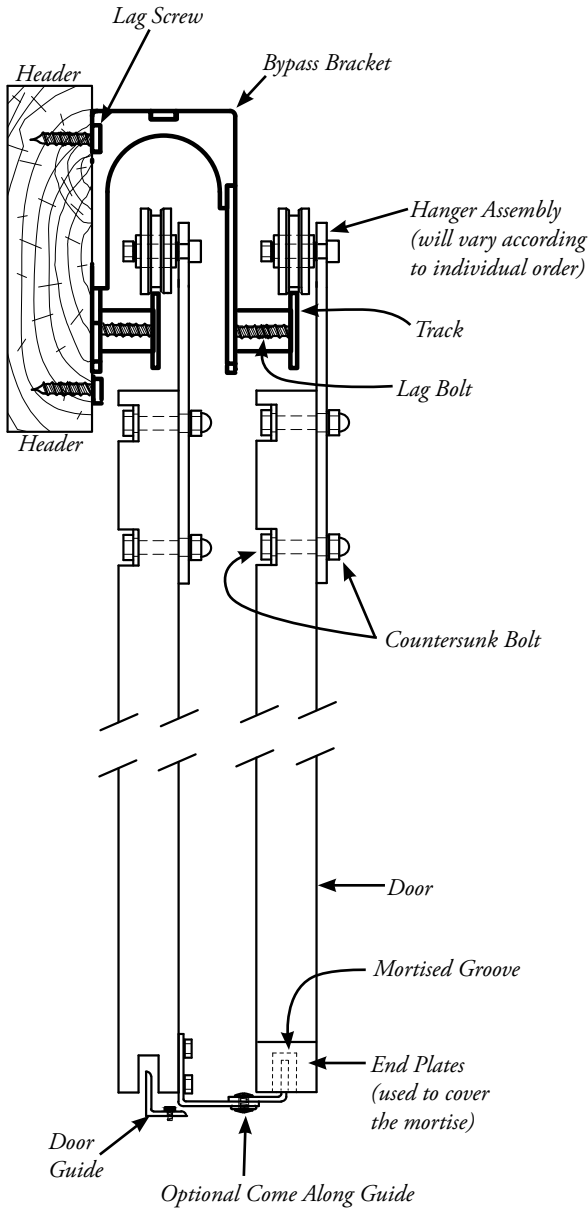
- Install the Front Track the same way you installed the Rear Track. Hang your front door(s) on your front Track.



# Installing Door Guide

## INSTALLATION INSTRUCTIONS

### Door Section

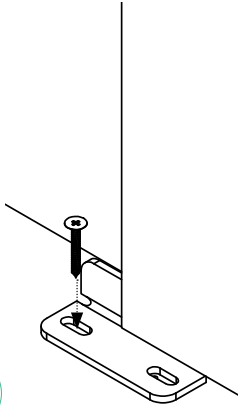


### 1. Installing Your Door Guide

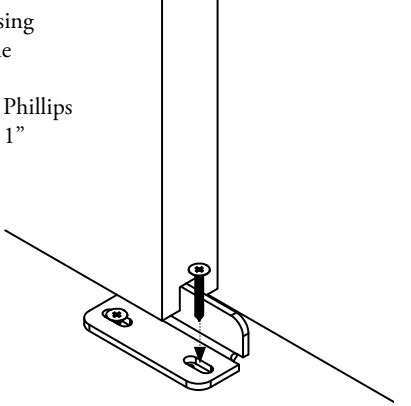
With a Bypass Track System, either a Wall-Mount or a Floor-Mount Door Guide can be installed on the back Door (the one that is closest to the wall). An additional Wall-Mount Door Guide can be installed onto the front of the back door, connecting to the front Door and acting as a Come Along Guide, see page 11.

- Use your level to plumb\* your Door.
- With the Door in the closed position, place the Door Guide half way into the Door mortise (the groove that runs along the bottom of a wood Door).
- Double check that your Door is plumb.\*
- Hold the Door Guide firmly in position. Using a drill with a Phillips bit, install a 1" Grabber Screw to secure your Door Guide to the floor.

\*Plumb - perfectly vertical.



- Slide the Door into the open position exposing the other edge of the Door Guide.
- Using a drill with a Phillips bit, install a second 1" Grabber Screw.



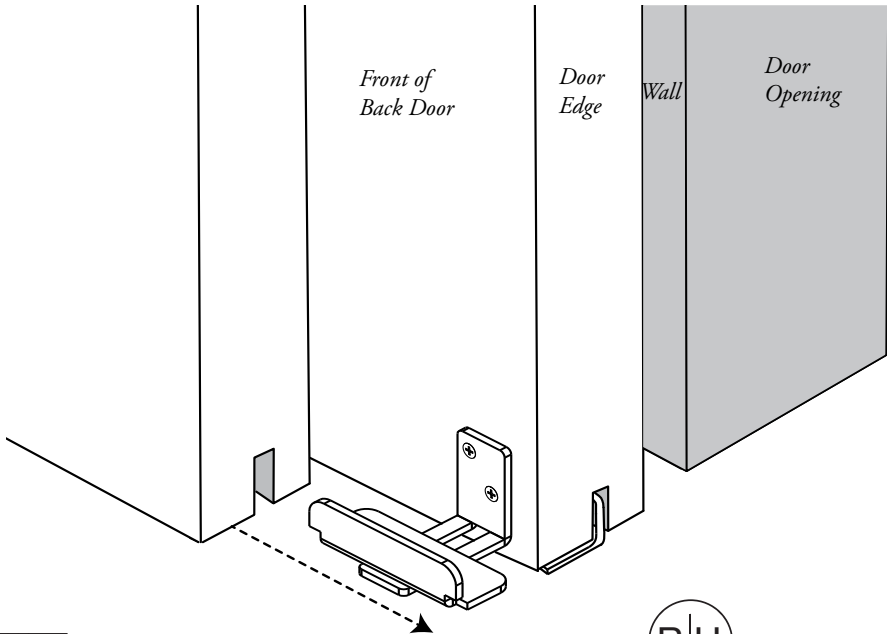
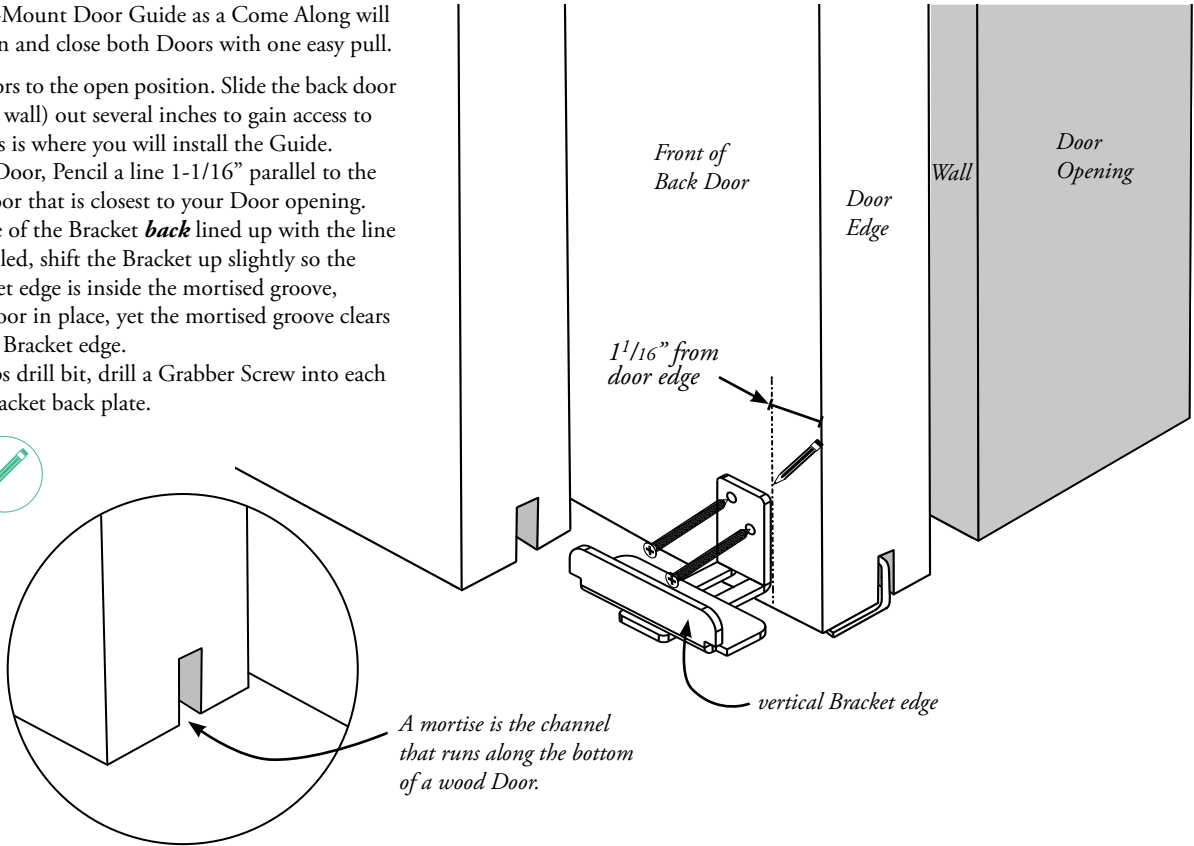
# Installing Come Along

## INSTALLATION INSTRUCTIONS

### 1. Installing Come Along Door Guide (optional)

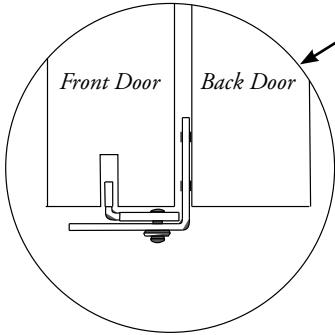
Installing a Wall-Mount Door Guide as a Come Along will allow you to open and close both Doors with one easy pull.

- Slide both doors to the open position. Slide the back door (closest to the wall) out several inches to gain access to the Door. This is where you will install the Guide.
- On the back Door, Pencil a line 1-1/16" parallel to the edge of the door that is closest to your Door opening.
- With the edge of the Bracket *back* lined up with the line you just penciled, shift the Bracket up slightly so the vertical Bracket edge is inside the mortised groove, holding the door in place, yet the mortised groove clears the top of the Bracket edge.
- With a Phillips drill bit, drill a Grabber Screw into each hole in the Bracket back plate.



### 2.

- Slide front Door so the mortise along the bottom of the Door slides over the vertical Bracket edge.

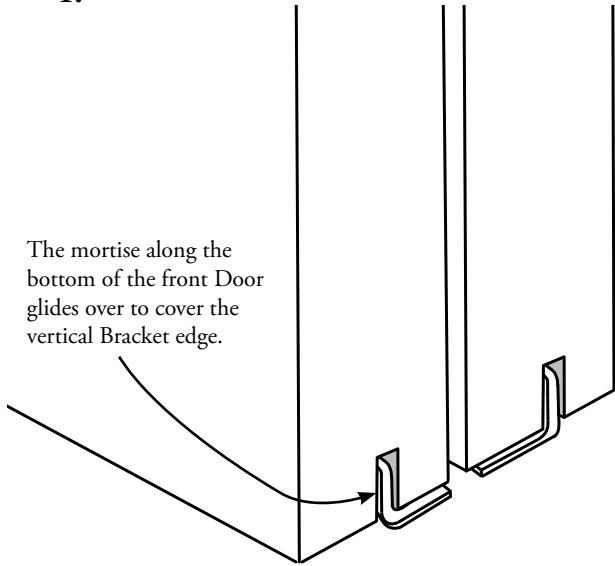


# Installing Come Along

## INSTALLATION INSTRUCTIONS

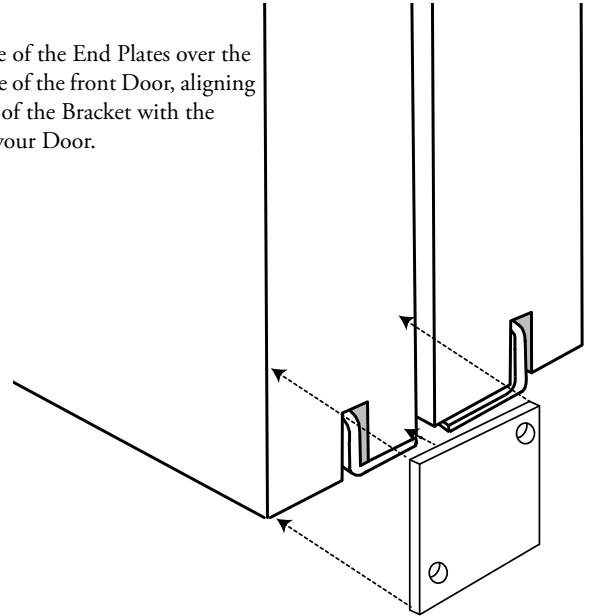
### Installing End Plates

1.



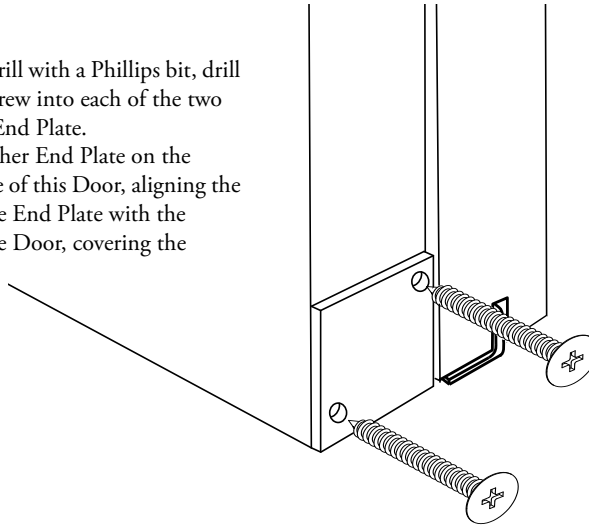
2.

- Position one of the End Plates over the bottom edge of the front Door, aligning the bottom of the Bracket with the Bottom of your Door.



3.

- Using your drill with a Phillips bit, drill a Grabber Screw into each of the two holes in the End Plate.
- Attach the other End Plate on the opposite edge of this Door, aligning the bottom of the End Plate with the bottom of the Door, covering the mortise.



Thank you for your purchase from Rustica Hardware. We hope that your purchasing and installation experience was exceptional. If you need installation assistance or have any feedback, we would love to hear from you.

[www.RusticaHardware.com](http://www.RusticaHardware.com)

1.800.891.8312



**RUSTICAHARDWARE®**

